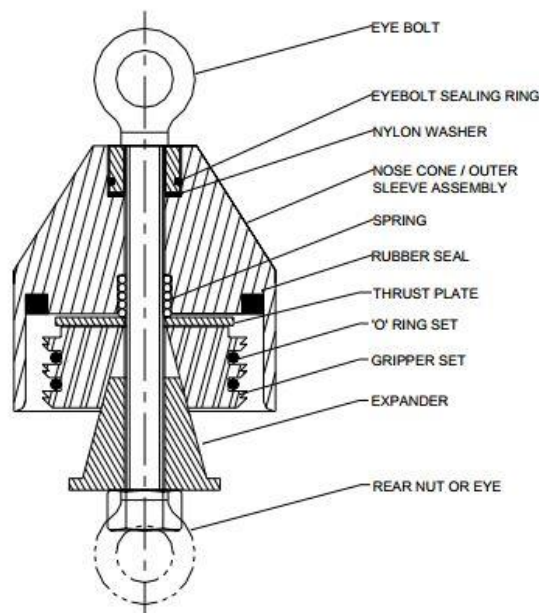


Têtes de tirage étanches



This newly developed Towing Head (Pipe Puller) has been designed specifically for use in Directional Drilling. Providing a cost effective Towing Head which prevents the ingress of drilling fluids into the pipe, whilst being suitable for both SDR 11 and SDR 17.6 pipe (and any SDR in between). Grippers are also available for pipes in the SDR range 21 to 33.

This new Mud Tight Towing Head, which is manufactured from quality materials and based on our well proven Standard Towing Head design, incorporates several additional features which make it a unique product. The main one being the rubber seal which is housed within the Nose Cone / Outer Sleeve assembly. This seal, which bears against the end of the pipe, is manufactured from a rubber compound that ensures a good positive seal, whilst being resistant to damage.

To overcome any possible problems resulting from out of square pipe, the seal is held against the pipe by a strong spring, which is compressed as the eyebolt is tightened. Using this method of sealing against fluid ingress avoids the need to dismantle and reassembly the Towing Head each time a different SDR pipe is used – thereby avoiding the risk of lost or damaged parts.

In addition to this seal the High Tensile Eyebolt also incorporates an o-ring seal to prevent fluid ingress. This Eyebolt is long enough to pass right through the Towing Head allowing it to be fitted with a rear nut or eye to prevent the Towing Head from coming apart during installation or removal.

This product has been 'field tested' over a twelve month period to ensure that it is fit for purpose prior to general sale, and is available in the size range 32mm up to 500mm.

The use of parts common with our Standard Towing Head has enabled manufacturing costs to be reduced, giving this product a distinct cost advantage over other more complicated products.

ADVANTAGES

- Simple and quick to fit / remove
- Robust and reliable construction
- Prevents fluid ingress
- Fully reusable
- Proven design
- Suitable for a range of pipe SDRs
- No interchangeable parts
- Quality Manufacture



Matériels et Outils
pour le Sans Tranchée

205 Boulevard Marcel Cachin 91430 IGNY France
Tél. : +33 (0)1 69 33 17 39 – Email : contact@mostfrance.com

