



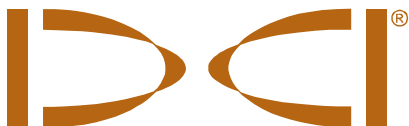
Directional Drilling Locating System

Operator's Manual



www.mostfrance.com

Tél. : 01 69 33 17 39



**DIGITAL
CONTROL
INCORPORATED**

dci@digital-control.com
www.DigiTrak.com

403-4200-00-E, Aug 2013

© 2009–2013 by Digital Control Incorporated. All rights reserved.

Trademarks

The DCI logo, CableLink[®], DataLog[®], DigiTrak[®], Eclipse[®], F2[®], F5[®], iGPS[®], MFD[®], SST[®], target-in-the-box[®], Target Steering[®], and TensiTrak[®] are U.S. registered trademarks and DucTrak[™], FBC[™], FBP[™], F Series[™], FSD[™], FasTrak[™], LWD[™], SBP[™], SE[™], SED[™], SuperCell[™], and TeleLock[™] are trademarks of Digital Control Incorporated.

Limited Warranty

All products manufactured and sold by Digital Control Incorporated (DCI) are subject to the terms of a Limited Warranty. A copy of the Limited Warranty is included at the end of this manual; it can also be obtained by contacting DCI Customer Service, 425-251-0559 or 800-288-3610, or at DCI's website, www.digitrak.com.

Important Notice

All statements, technical information, and recommendations related to the products of DCI are based on information believed to be reliable, but the accuracy or completeness thereof is not warranted. Before utilizing any DCI product, the user should determine the suitability of the product for its intended use. All statements herein refer to DCI products as delivered by DCI and do not apply to any user customizations not authorized by DCI nor to any third-party products. Nothing herein shall constitute any warranty by DCI nor will anything herein be deemed to modify the terms of DCI's existing Limited Warranty applicable to all DCI products. The most recent version of this manual is available on DCI's [website](http://www.digitrak.com).

Compliance Statement

This equipment complies with Part 15 of the Rules of the FCC and with Industry Canada license-exempt RSS standards and with Australia Class License 2000 for LIPD (low interference potential devices). Operation is subject to the following two conditions: (1) this equipment may not cause harmful interference, and (2) this equipment must accept any interference received, including interference that may cause undesired operation. DCI is responsible for FCC compliance in the United States: Digital Control Incorporated, 19625 62nd Ave S, Suite B103, Kent WA 98032; phone 425-251-0559 or 800-288-3610.

Changes or modifications to any DCI equipment not expressly approved and carried out by DCI will void the user's Limited Warranty and the FCC's authorization to operate the equipment.

CE Requirements



DigiTrak receivers are classified as Class 2 radio equipment per the R&TTE Directive and may not be legal to operate or require a user license to operate in some countries. The list of restrictions and the required declarations of conformity are available on DCI's website, www.digitrak.com, under the Service & Support tab. Click on DOWNLOADS and select from the CE Documents pull-down menu to download, view, or print the documents.

Contact Us

United States
DCI Headquarters
19625 62nd Ave S, Suite B103
Kent, Washington 98032, USA
+1.425.251.0559 / 1.800.288.3610
+1.425.251.0702 fax
dcidigital-control.com

Australia
2/9 Frinton Street
Southport QLD 4215
+61.7.5531.4283
+61.7.5531.2617 fax
dciaustralia@digital-control.com

China
368 Xingle Road
Huacao Town
Minhang District
Shanghai 201107, P.R.C.
+86.21.6432.5186
+86.21.6432.5187 fax
dcichina@digital-control.com

Europe
Brueckenstraße 2
97828 Marktheidenfeld
Germany
+49.9391.810.6100
+49.9391.810.6109 fax
dcieurope@digital-control.com

India
DTJ 1023, 10th Floor
DLF Tower A, DA District Center
Jasola, New Delhi 110044
+91.11.4507.0444
+91.11.4507.0440 fax
dcindia@digital-control.com

Russia
Molodogvardeyskaya Street, 4
Building 1, Office 5
Moscow, Russia 121467
+7.499.281.8177
+7.499.281.8166 fax
dcirusssia@digital-control.com

Dear Customer,

Thank you for choosing a DigiTrak locating system. We are extremely proud of the equipment we have been designing and building in Washington State since 1990. We believe in providing a unique, high-quality product and standing behind it with superior customer service and training.

Please take the time to read this entire manual, especially the section on safety. Also, please fill in the product registration card provided with this equipment and either mail it to DCI headquarters, fax it to us at 253-395-2800, or complete and submit the form online at our website, www.digitrak.com. We will put you on the Digital Control mailing list and send you product upgrade information and our *FasTrak* newsletter.

Feel free to contact us if you have any problems or questions. Our Customer Service department is available 24 hours a day, 7 days a week. International contact information is available on our website.

As the horizontal directional drilling industry grows, we're keeping our eye on the future to develop equipment that will make your job faster and easier. Visit us online any time to see what we're up to.

We welcome your questions, comments, and ideas.

Digital Control Incorporated
Kent, Washington
2013

See our DigiTrak Training Videos on YouTube at www.youtube.com/dcikent.

Table of Contents

Trademarks	2
Limited Warranty	2
Important Notice	2
Compliance Statement	2
CE Requirements	2
CONTACT US	3
DEAR CUSTOMER,	4
SAFETY PRECAUTIONS AND WARNINGS	8
General	8
Equipment and Battery Disposal	9
Pre-Drilling Testing	9
Interference	9
INTRODUCTION	11
RECEIVER	13
General Description	13
Power On/Off	14
Installing and Removing the Battery Pack	14
Turning On the Receiver	14
Turning Off the Receiver	16
Automatic Shutdown	16
Trigger Switch	17
Audible Tones	17
Adjusting Screen Contrast	17
Main Menu	17
Height-Above-Ground (HAG) Menu	19
Turn On HAG	19
Turn Off HAG	20
Set HAG	20
Telemetry Channel Menu	21
Calibration Menu	22
1-Point Calibration (Above Ground)	23
2 Point Calibration (In Ground)	25
Units & Roll Offset Menu	27
Depth Units Menu	27
Pitch Units Menu	28
Roll Offset Menu	28
Remote Steering Menu	30
Turn On Remote Steering	30
Turn Off Remote Steering	31
Set Reference Depth	31
Display Screens	33
Locate Mode Screen	33
Depth Mode Screen	34
Predicted Depth Display Screen	35
Standard Receiver Display Screen Symbols	36
TRANSMITTER	37
Types of SE Transmitters	37
Batteries and Power On/Off	38

Installing Batteries / Power On	38
Transmitter Battery Status	39
Sleep Mode (Automatic Shutdown) / Power Off	39
Transmitter Housing Requirements.....	39
Temperature Updates and Overheat Indicator.....	40
Transmitter Temperature Warning Tones.....	41
Transmitter Overheat Indicator (Temp Dot).....	42
REMOTE DISPLAY.....	43
General Description.....	43
Installing and Removing the Battery Pack.....	44
Power On/Off.....	44
Push Button	44
Audible Tones.....	44
Adjusting Screen Contrast.....	45
Adjusting the Viewing Angle.....	45
Attaching and Removing Visor	45
Main Menu.....	46
Telemetry Channel Menu	47
Contrast Adjustment	47
Display Screens.....	48
Main Display Screen.....	48
Depth Display Screen	49
Predicted Depth Display Screen.....	50
Remote Steering Display Screen.....	51
BATTERY CHARGER.....	52
General Description.....	52
Power Setup	53
Charging a Battery Pack.....	53
LOCATING	54
Introduction	54
Locate Points (FLP & RLP) and Locate Line (LL)	55
Effects of Depth, Pitch, and Topography on Distance Between FLP and RLP.....	56
Marking Locate Points	57
Display Screens.....	58
Interference: What It Is and How to Check for It	60
Background Noise Check	60
Roll/Pitch Check.....	61
Suggestions for Dealing with Interference.....	61
Standard Method for Locating the Transmitter.....	62
Finding the Front Locate Point (FLP).....	62
Finding the Locate Line (LL)	64
Finding the RLP to Confirm Transmitter Heading and Position.....	66
Tracking “On-the-Fly”	68
Off-Track Locating	69
REMOTE STEERING	72
Positioning the Receiver as a Target	73
Steering to the Target.....	74
APPENDIX A: SYSTEM SPECIFICATIONS AND MAINTENANCE REQUIREMENTS	75
Power Requirements	75
Environmental Requirements	75
General Transmitter Care Instructions	76
Battery Pack Storage.....	76

General Equipment Maintenance	77
APPENDIX B: PROJECTED DEPTH VERSUS ACTUAL DEPTH AND THE FORE/AFT OFFSET	78
APPENDIX C: CALCULATING DEPTH BASED ON DISTANCE BETWEEN FLP AND RLP	83
APPENDIX D: REFERENCE TABLES	84
Depth Increase in Inches (Centimeters) per 6-foot (1.8 meter) Rod	85
Depth Increase in Inches (Centimeters) per 10-foot (3-meter) Rod	86
Depth Increase in Inches (Centimeters) per 15-foot (4.6-meter) Rod	87
Percent of Grade to Degree Conversions	88
Degree to Percent of Grade Conversions	89
LIMITED WARRANTY	

Safety Precautions and Warnings

Carefully review this manual and be sure you always operate your DigiTrak locating system properly to obtain accurate depth, pitch, roll, and locate points. If you have any questions about the operation of the system, please contact DCI Customer Service for assistance.

General



Warning All operators must read and understand the following safety precautions and warnings and must review this operator's manual before using the DigiTrak F5 Locating System.



Serious injury and death can result if underground drilling equipment makes contact with an underground utility such as a high-voltage electrical cable or a natural gas line.



Substantial property damage and liability can result if underground drilling equipment makes contact with an underground utility such as a telephone, cable TV, fiber-optic, water, or sewer line.



Work slowdowns and cost overruns can occur if drilling operators do not use the drilling or locating equipment correctly to obtain proper performance.



DCI equipment is not explosion-proof and should never be used near flammable or explosive substances.



In the event of electrostatic shock, the display screen may go blank. No data loss will occur. Click the trigger to reset the receiver, or toggle down to reset the remote display.



Hot surfaces can occur on cable transmitters if housing requirements are not met. Always ensure the transmitter is installed properly in the housing during use.

Directional drilling operators **MUST** at all times:

- Understand the safe and proper operation of drilling and locating equipment, including the use of ground mats and proper grounding procedures.
- Ensure that all underground utilities have been located, exposed, and accurately marked prior to drilling.
- Wear protective safety clothing such as dielectric boots, gloves, hard hats, high-visibility vests, and safety glasses.
- Locate and track the transmitter in the drill head accurately and correctly during drilling.
- Maintain a minimum distance of 8 in. (20 cm) from the front of the receiver to the user's torso to ensure compliance with FCC requirements.
- Comply with federal, state, and local governmental regulations (such as OSHA).
- Follow all other safety procedures.

DigiTrak locating systems cannot be used to locate utilities.

Continued exposure of the transmitter to heat due to frictional heating of the drill head can cause inaccurate information to be displayed and may permanently damage the transmitter.

Remove the batteries from all system components during shipping and prolonged storage; damage caused by leakage may occur.

Equipment and Battery Disposal



This symbol on equipment indicates that the equipment must not be disposed of with your other household waste. Instead, it is your responsibility to dispose of such equipment at a designated collection point for the recycling of batteries or electrical and electronic equipment. If the equipment contains a banned substance, the label will show the pollutant (Cd = Cadmium; Hg = Mercury; Pb = Lead) near this symbol. Before recycling, ensure batteries are discharged or the terminals are covered with adhesive tape to prevent shorting. The separate collection and recycling of your waste equipment at the time of disposal will help conserve natural resources and ensure it is recycled in a manner that protects human health and the environment. For more information about where you can drop off your waste equipment for recycling, please contact your local city office, your household waste disposal service, or the shop where you purchased the equipment.

The battery charger provided with your DigiTrak locating system is designed with adequate safeguards to protect you from shock and other hazards when used as specified within this document. If you use the battery charger in a manner not specified by this document, the protection provided may be impaired. Do not attempt to disassemble the battery charger, it contains no user-serviceable parts. The battery charger shall not be installed into caravans, recreational vehicles, or similar vehicles.

Pre-Drilling Testing

Before each drilling run, test your DigiTrak locating system with the transmitter inside the drill head to confirm it is operating properly and providing accurate drill head location and heading information.

During drilling, the depth will not be accurate unless:

- The receiver has been properly calibrated and the calibration has been checked for accuracy so the receiver shows the correct depth.
- The transmitter has been located correctly and accurately and the receiver is directly above the transmitter in the drill head underground or at the front locate point.
- The receiver is placed on the ground or held at the correct height-above-ground distance, which has been set correctly.

Always test calibration after you have stopped drilling for any length of time.

Interference

Interference can cause inaccuracies in the measurement of depth and loss of the transmitter's pitch, roll, or heading. Always perform a background noise check prior to drilling.

- Sources of interference include, but are not limited to, traffic signal loops, invisible dog fences, cable TV, power lines, fiber-trace lines, metal structures, cathodic protection, telephone lines, cell phones, transmission towers, conductive earth, salt, salt water, rebar, and radio frequencies.

- Interference at the remote display may also occur from other sources operating nearby on the same frequency, such as car rental agencies using their remote check-in modules or other directional drilling locating equipment.
- Background noise must be minimal and signal strength must be at least 150 points above the background noise during all locating operations.
- Because this equipment may generate, use, and radiate radio frequency energy, there is no guarantee that interference will not occur at a particular location. If this equipment does interfere with radio or television reception, which can be determined by powering the equipment off and on, try to correct the interference using one or more of the following measures:
 - Reorient or relocate the receiving antenna.
 - Increase the separation between the receiver and affected equipment.
 - Consult the dealer, DCI, or an experienced radio/TV technician for help.
 - Connect the DCI equipment to an outlet on a different circuit.

Introduction



DigiTrak SE Locating System

The DigiTrak SE Locating System is used during horizontal directional drilling operations to locate and track a transmitter installed in the drill head. You can use your existing DigiTrak Mark Series remote, MFD (Multi-Function Display) remote, or FSD (F Series Display) remote, or you can purchase the SED (SE Display) remote designed specifically for the SE system, to view the transmitter data at the drill rig. A complete SE system consists of a handheld receiver, two transmitter options, an SED remote, a battery charger system, and three rechargeable nickel-metal hydride (NiMH) battery packs for powering the receiver and remote.

In addition to the basic locating capabilities of directional tracking and depth, the SE system includes the advanced features of predicted depth, off-track locating, and remote steering to navigate the drill head easily and accurately even when obstacles prevent walkover tracking.

This manual provides information on each SE system component—the receiver, transmitter, SED remote display, and battery charger—in separate sections following this *Introduction*. These sections are followed by the *Locating* section, which explains important locating terms and gives step-by-step locating in-

structions. For instructions on using your Mark Series, MFD, or FSD remote, see the operator's manual provided with your remote display.

Appendix A presents the SE system's power, environmental, and maintenance requirements. *Appendix B* explains how to calculate depth when the transmitter is deep (greater than 15 ft or 4.6 m) and/or at a steep pitch (greater than $\pm 30\%$ or $\pm 17^\circ$). *Appendix C* explains how to calculate depth based on the distance between the front and rear locate points and the pitch of the transmitter. Finally, *Appendix D* provides reference tables for depth and pitch conversions.

Receiver



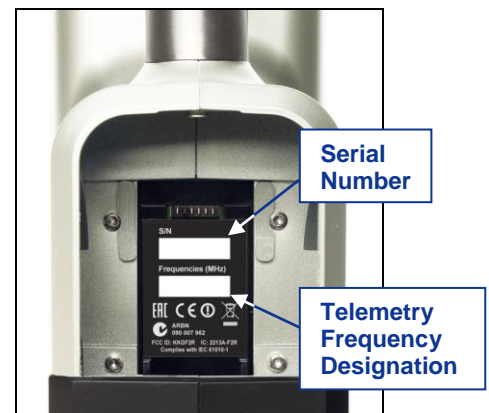
SE Receiver – Side View

General Description

The SE receiver is a handheld unit used for locating and tracking an SE transmitter. The receiver converts signals from the transmitter and displays the following transmitter information: depth, pitch, roll, temperature, and battery level. The SE receiver then sends this information to the remote display at the drill rig.

To meet regional requirements and for proper communication, the telemetry frequency designation for the receiver must match that for the remote display. The telemetry frequency designation is identified on the receiver's serial number label, which is located inside the battery compartment (see photo). It must match one of those listed on the remote display's serial number label.

The receiver and transmitter must also be able to communicate properly in different global regions. A regional designation number is provided in the receiver's software (see figure titled "Receiver Startup Screen" later in this section). This number must match that stamped on the transmitter for proper communication (see *Transmitter* section).



Serial Number Label in Battery Compartment

Power On/Off

Installing and Removing the Battery Pack

Insert a fully charged DCI NiMH or lithium-ion battery pack so that it is flush with the back of the receiver and the tab is securely latched, as shown below. If necessary, push on the battery pack to latch the tab in place.



Inserting Battery Pack

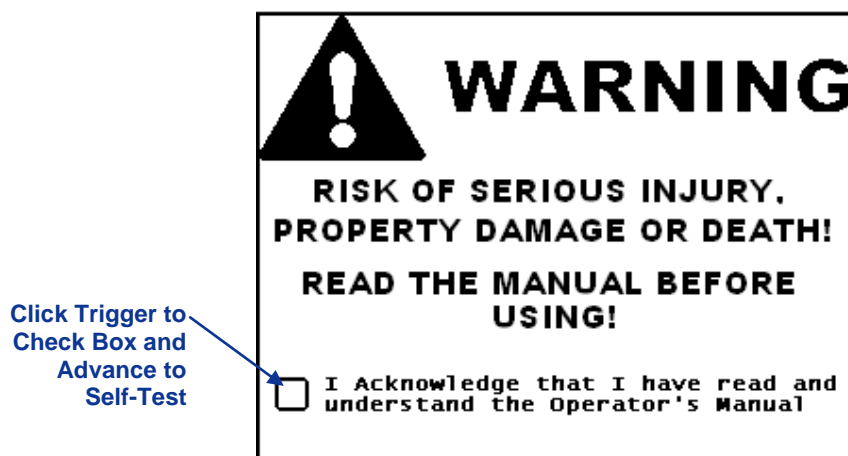
Battery Pack Fully Inserted

Removing Battery Pack

To remove the battery pack, push down on the battery tab and pull it away from the unit until the tab is released.

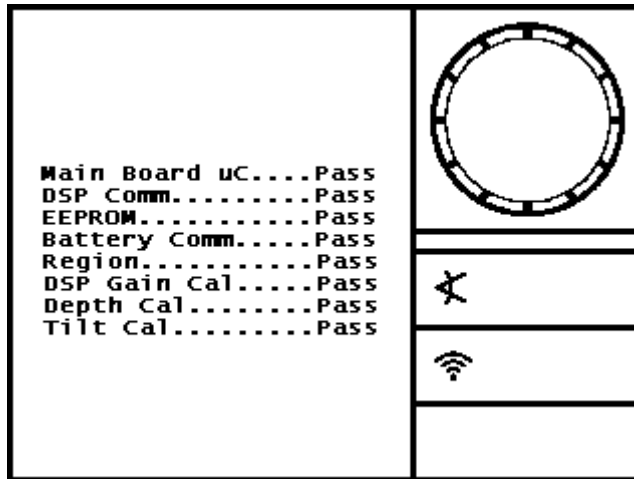
Turning On the Receiver

To turn on the SE receiver once the battery is properly installed, hold in the trigger for 1 second, and then release it. You will hear a short beep followed by a long beep. The first screen you will see is the warning screen, which will appear every time you turn on the unit.



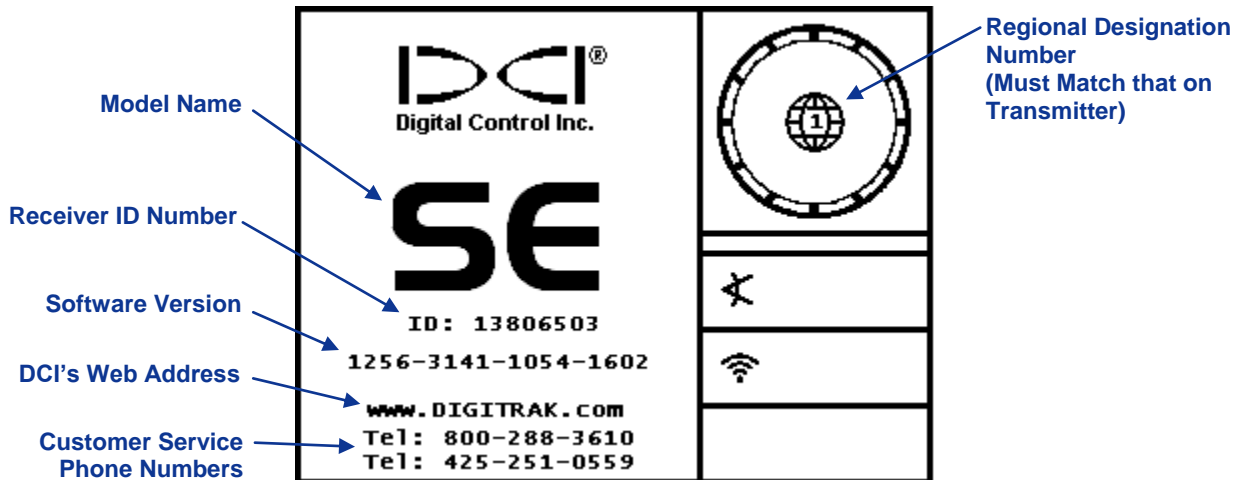
Receiver Warning Screen

The self-test will automatically initiate after the checkmark is displayed in the box. The self-test is performed every time the receiver is powered on. The following screen will display indicating a successful self-test. If an item of the self-test fails, the warning symbol will display; contact DCI Customer Service before proceeding.



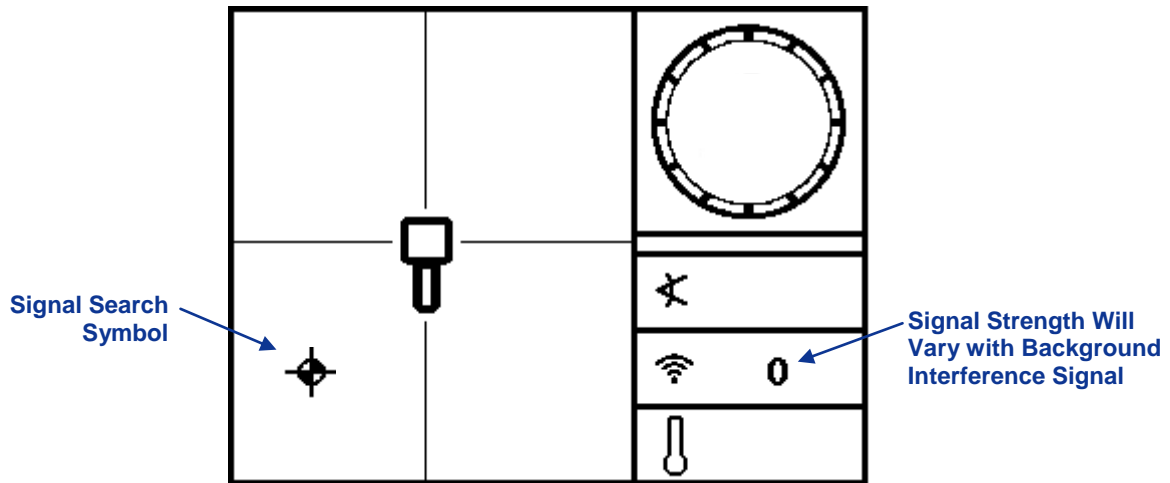
Receiver Self-Test Pass Screen

The startup screen will automatically appear after the self-test, as shown below. Note the regional designation number shown inside the globe icon (); this number must match that shown on the transmitter (see *Transmitter* section).



Receiver Startup Screen

From the startup screen, click the trigger to continue to the locate mode screen. When there is not a powered-up transmitter in the area, the screen will appear as shown below. The signal search symbol will display as the receiver searches for the transmitter's signal.




Receiver Locate Mode Screen (No Transmitter)

When a transmitter is in range, the locate mode screen provides real-time data about the transmitter's location, temperature, pitch, roll, and signal strength. The standard receiver display screens are discussed further under "Display Screens" later in this section. See the *Locating* section for detailed instructions on locating with the SE system.

The locate mode screen is the default receiver screen. If the receiver does not sense any trigger action for a period of time, then the display returns to the locate mode screen.

Turning Off the Receiver

To turn off the unit, click the trigger twice to highlight the power icon  in the main menu. Then hold the trigger in for at least 1 full second. You will hear four long tones as the unit turns off.

Automatic Shutdown

The SE receiver will automatically shut down after 15 minutes of inactivity when the receiver is in locate mode or after 30 minutes of inactivity when the receiver is in remote steering mode.

Trigger Switch

The SE receiver operates with a trigger switch located under the handle. The trigger is used to turn on the unit, adjust the screen contrast, access and select menu options, and change the display view for depth measurements. Clicking the trigger versus holding the trigger will result in different actions.

Click – Quickly pulling and releasing the trigger (in less than 1 second). Clicking the trigger brings up the main menu screen, and then each subsequent click advances through the menu options.

Hold – Holding the trigger in for more than 1 second. Holding the trigger executes menu options, adjusts the screen contrast, selects a menu option, or changes the display view for depth readings.

If the receiver does not sense any trigger action within a few seconds of entering a menu, then the display returns to the locate mode screen.

Audible Tones

The SE receiver gives audible tones to signal power on/off, menu changes, and the pass/fail status of actions, as summarized below. The receiver also emits tones with transmitter temperature increases (see “Transmitter Temperature Warning Tones” in the *Transmitter* section).

Power On – One short beep followed by a long beep.

Power Off – Four long beeps.

Confirmation Signal – Four short beeps to confirm menu selection has been successfully executed.

Failure Signal – Two long beeps to indicate a problem with the menu item selected. A failure screen will appear. The failure screen will display until the trigger is clicked.

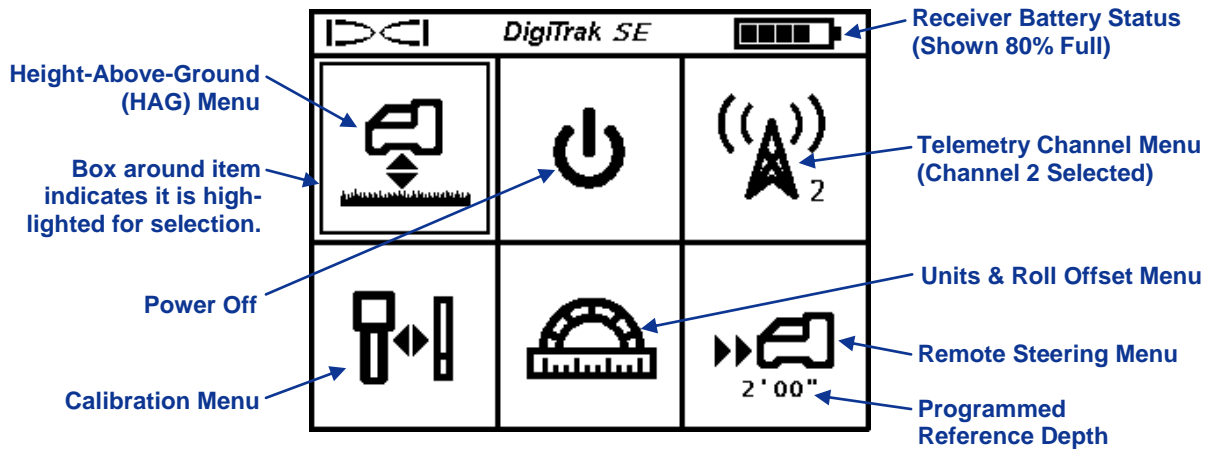
Adjusting Screen Contrast

To make the screen lighter or darker, hold the trigger in with the receiver held vertical and in locate mode (see photo). Release the trigger when the screen contrast is adjusted to the desired level.



Main Menu

The main menu allows you to set the desired depth units, pitch units, roll offset, and height-above-ground (HAG) distance; to select telemetry options; to calibrate the receiver to the transmitter; to use the remote steering function; and to turn off the receiver. To access the main menu, click the trigger once from the locate mode screen. You will see six menu options, with the first one, the HAG menu, highlighted for selection.



Receiver Main Menu Screen

The main menu screen also displays the receiver battery status (in the top right corner) and the current telemetry channel selection (channel 2 is shown in the example above). If the remote steering menu has been programmed with a reference depth, you will see that number below the icon, as shown in the figure above. If the main menu is accessed by accident, you can click through all the options to return to the locate mode screen or wait 5 seconds for the menu to time out and return to the locate mode screen.

To access a menu option, hold the trigger in when you have the desired menu option highlighted. The table below summarizes the main menu options. Each option is described fully in subsections following the table.

Receiver Main Menu Options

	Height-Above-Ground (HAG) Menu – Turns on, turns off, or sets the height at which the receiver will be held during depth readings. This feature allows you to take a depth reading without placing the receiver on the ground.
	Power Off – Turns the unit off accompanied by four long tones.
	Telemetry Channel Menu – Changes the telemetry setting (channels 1 through 4) or turns off the telemetry (channel 0). The receiver must be set to the same channel as the remote.
	Calibration Menu – Calibrates the receiver to the transmitter using the above-ground (1-point) method or the below-ground (2-point) method.
	Units & Roll Offset Menu – Changes the depth and pitch units and activates the roll offset function, which is used when the transmitter's roll position must be compensated to match the drill head's roll position.
	Remote Steering Menu – Sets the reference depth, turns on remote steering, or returns the display to standard locate mode.

Height-Above-Ground (HAG) Menu



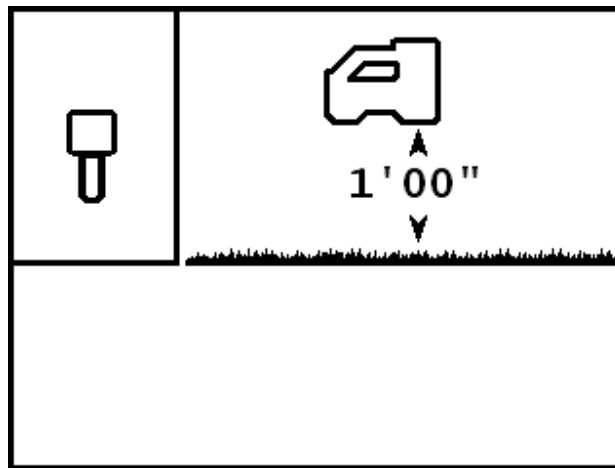
The height-above-ground (HAG) function allows you to program a height measurement into the receiver so that you do not have to set the receiver on the ground for a depth reading. The HAG menu has three options: Turn On, Turn Off, and Set. Set allows you to change the current height setting. Clicking the trigger advances through each option, and holding the trigger in selects the option displayed.

The default setting for the HAG function is off. Until you turn on or set a new HAG, the receiver must be placed on the ground for accurate depth readings. The HAG function automatically shuts off when depth units are changed, when the remote steering function is turned on or off, and during calibration.

Before accessing the HAG menu to turn on or set the HAG, you should measure your desired HAG. To do so, hold the receiver comfortably at your side and measure the distance from the bottom of the receiver to the ground. The available values range from 1–3 ft, 12–36 in., or 30–90 cm. The menu will time out if selections are not made within 5 seconds.

Turn On HAG

When the HAG menu is accessed, the first screen that appears shows either the default HAG value (1 ft, 12 in., or 30 cm) or the value that was most recently set.



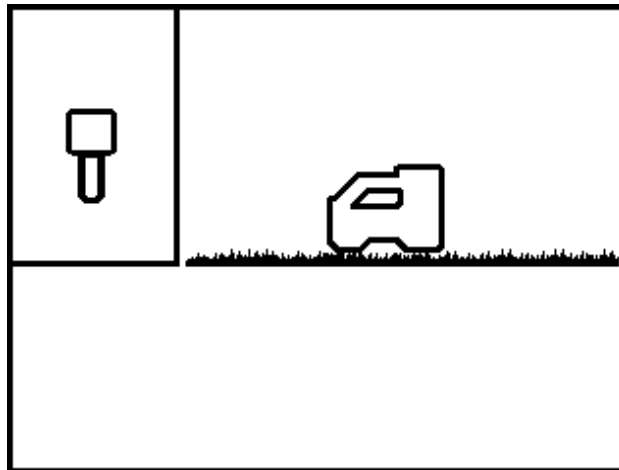
Turn On HAG Screen

To turn on the HAG function using the value displayed, hold in the trigger. You will hear the confirmation signal (four short beeps), and a checkmark will appear next to the setting to indicate the HAG has been successfully turned on. **The receiver must be held at this height for accurate depth readings.**

If you want to select a different value for the HAG setting or want to turn off the HAG function, click the trigger. You will advance to the turn off HAG screen.

Turn Off HAG

The turn off HAG menu option shows the SE receiver on the ground.



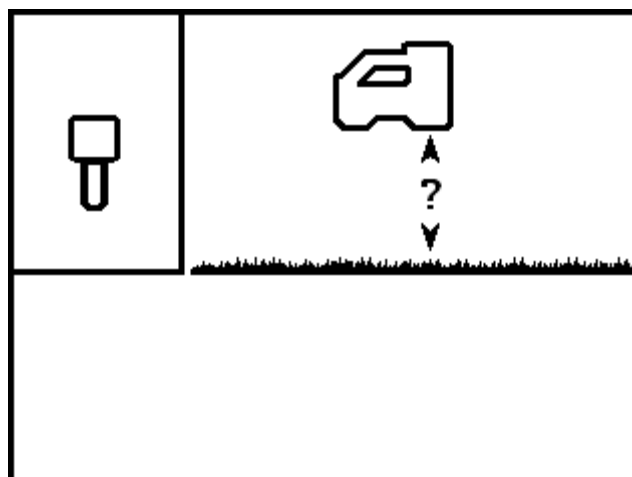
Turn Off HAG Screen

Hold the trigger in to turn off the HAG function. You will hear the confirmation signal, and a checkmark will appear next to the receiver to indicate that the HAG has been successfully turned off. **The receiver must be placed on the ground to obtain accurate depth readings.**

If you do not want to turn the HAG function off, click the trigger to advance to the set HAG screen.

Set HAG

The set HAG option allows you to program the height that the receiver will be held above the ground. A question mark will appear in place of the HAG value.



Set HAG Screen

Hold the trigger in to select this option and the current or default HAG setting will display in place of the question mark.

Click the trigger to scroll through the available height-above-ground values (1–3 ft, 12–36 in., or 30–90 cm). Each click will advance in 1-in. (or 2-cm) increments.

Hold the trigger in when the desired HAG value is displayed. You will hear the confirmation signal, and a checkmark will appear next to the HAG value to indicate that it has been turned on to the value displayed. **The receiver must be held at this height during locating for accurate depth measurements.**

Telemetry Channel Menu

The telemetry channel menu has five options: no telemetry (channel 0) or telemetry channel 1, 2, 3, or 4. The telemetry channel icon on the main menu (and in the heading above) shows the current channel setting of 2.

When the telemetry channel menu is accessed, the screen will display as shown below, with an arrow next to the current telemetry setting (channel 2 in this example). The receiver must be set to the same telemetry channel as the remote for proper communication.



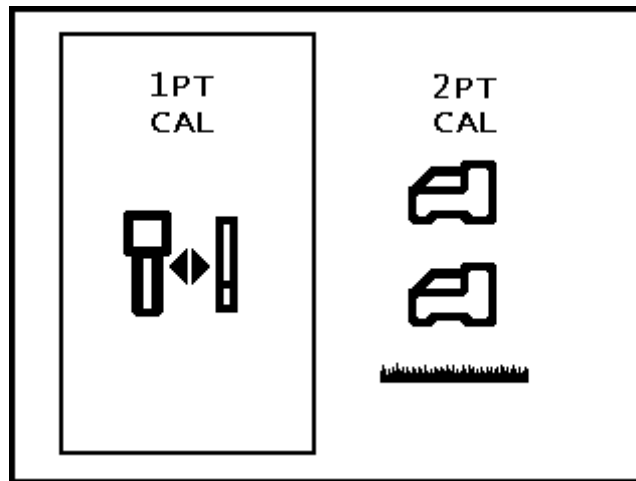
Receiver Telemetry Channel Menu

To change the telemetry channel setting, click the trigger to scroll through the channel options. When the arrow is next to the desired channel, hold the trigger in, and a checkmark will appear in place of the arrow followed by the confirmation signal. You can verify the telemetry channel on the receiver by clicking the trigger to enter the main menu where the telemetry channel menu icon and channel number are shown.

When using the SE receiver with an MFD or FSD remote, you must select the SE menu choice, if available. On older MFD and FSD remotes, you must select the Mark Series option. Upgrades are available for older MFD and FSD remotes to add the SE capability. The SE software upgrade provides enhanced data to the remote, including a telemetry update meter, a HAG setting visible at the remote, a roll offset (RO) indicator visible at the remote, and the disappearance of the remote steering bar when it is not in use.

Calibration Menu

The calibration menu allows you to calibrate the receiver to the transmitter with the transmitter above ground (1-point calibration at a distance of 10 ft or 3 m) or below ground (2-point calibration). When you select the calibration menu, the 1PT CAL option is highlighted for selection as shown below.



Receiver Calibration Menu

Clicking the trigger will toggle between the 1PT CAL option (the preferred method) and the 2PT CAL option (in-ground calibration). Hold in the trigger when the desired menu item is highlighted or wait 8 seconds to exit the menu.

Do not calibrate if:

- You are within 10 ft (or 3 m) of metal structures, such as steel pipe, chain-link fence, metal siding, construction equipment, automobiles, etc.
- The receiver is over rebar or underground utilities.
- The receiver is in the vicinity of excessive electrical interference as described in the *Safety Precautions and Warnings* section at the beginning of this manual.
- The transmitter is not turned on. See the *Transmitter* section for information on installing batteries and verifying signal.
- The transmitter is not installed in the housing. See “Transmitter Housing Requirements” in the *Transmitter* section.

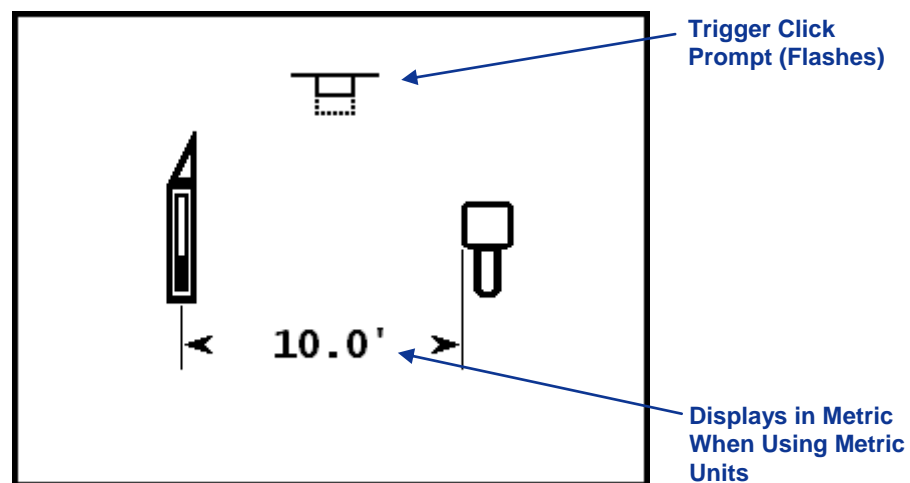
1-Point Calibration (Above Ground)



The 1PT CAL procedure is performed with the transmitter turned on and in the drill head, parallel to and 10 ft (or 3 m) from the receiver as described below. DCI does not recommend calibrating every day, but you should verify the receiver's depth reading daily at several locations using a tape measure.

NOTE: Calibration is necessary prior to first-time use and before a different transmitter, receiver, or drill head is to be used.

The 1-point calibration menu display appears as follows:

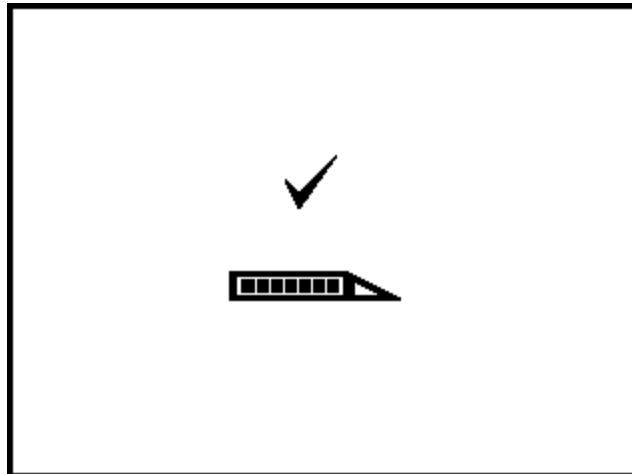


1PT CAL Screen

The above figure shows the calibration setup with the receiver and transmitter situated parallel to each other. The flashing symbol at the top of the screen indicates that you must click the trigger to initiate the calibration. If you wait longer than 10 seconds to click the trigger, the operation will end without conducting the calibration procedure.

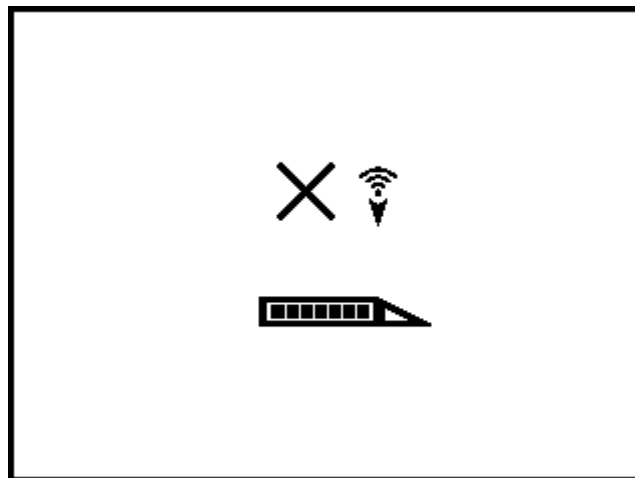
To calibrate:

1. The receiver must be parallel to and level with the transmitter. It is preferable to conduct the procedure on level ground.
2. Measure 10 ft (3 m) from the center of the transmitter to the inside edge of the receiver as shown above in the 1PT CAL screen.
3. Verify that roll and pitch values are being displayed on the receiver and that a steady signal is being received from the transmitter.
4. Access the 1PT CAL screen and click the trigger to initiate the calibration.
5. A countdown sequence from 5 to 0 will begin on the screen.
6. If the calibration is successful, you will see a checkmark above the transmitter icon as shown below, and you will hear the confirmation signal.





Successful 1PT CAL Screen

If the calibration fails, a failure screen as shown below will appear and you will hear the failure signal (two long beeps).



1PT CAL Failure Screen (Signal Too Low)

The failure screen will show an X above the transmitter icon followed by a symbol to indicate failure due to low signal strength (), as shown, or high signal strength ().

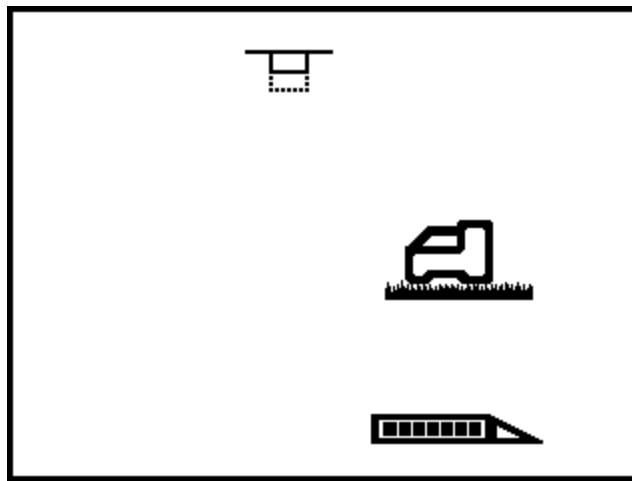
NOTE: The calibration will fail when the signal from the transmitter is above 950 points or below 300 points.

2 Point Calibration (In Ground)



The 2PT CAL option allows you to calibrate the receiver to the transmitter when it is in the ground. This procedure requires the use of a tape measure. Two-point calibration is rarely needed. If you must calibrate with the transmitter in the ground, use this procedure with caution.

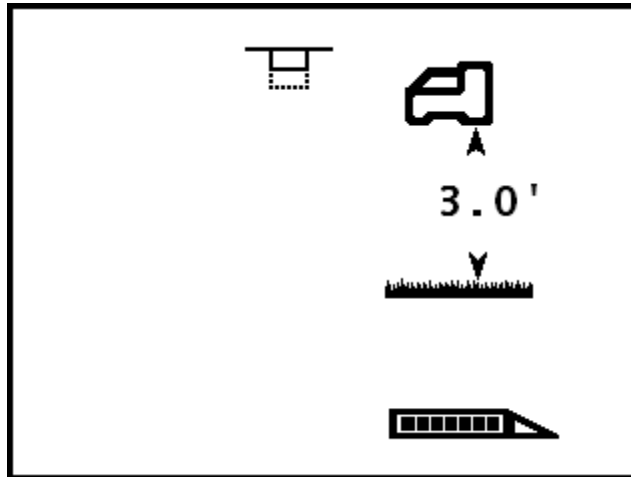
Position the receiver on the ground above an approximately level transmitter. (See the *Locating* section for instructions on how to position the receiver directly over the transmitter.) Start the 2-point calibration procedure by selecting 2PT CAL from the calibration menu. You will see the following screen.



First Point, 2PT CAL

The flashing trigger symbol at the top of the screen indicates that a trigger click is needed to obtain the first point for the 2-point calibration. Click the trigger, and the display will count down from 5 to 0 while the receiver records the first calibration point.

If the signal strength from the transmitter is within the tolerable range (300–950 points), a checkmark will display on the screen and you will hear the confirmation signal indicating that the first calibration point has been successfully recorded. Then the second 2PT CAL screen appears.

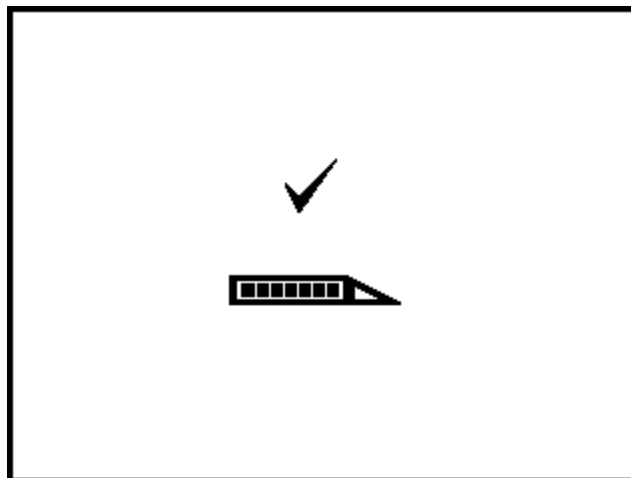


Second Point, 2PT CAL

To record the second calibration point, lift the receiver 3 ft (or 1 m) directly up, keeping it level, and click the trigger. The display will count down from 5 to 0. Do not move the receiver while the display is counting down.

NOTE: The second point screen will display even if the first point fails. After the second point is recorded, an X will appear on the screen and you will hear the failure signal. You must click the trigger to continue and restart the calibration procedure.

You will see the following screen and hear the confirmation signal when the calibration is complete.



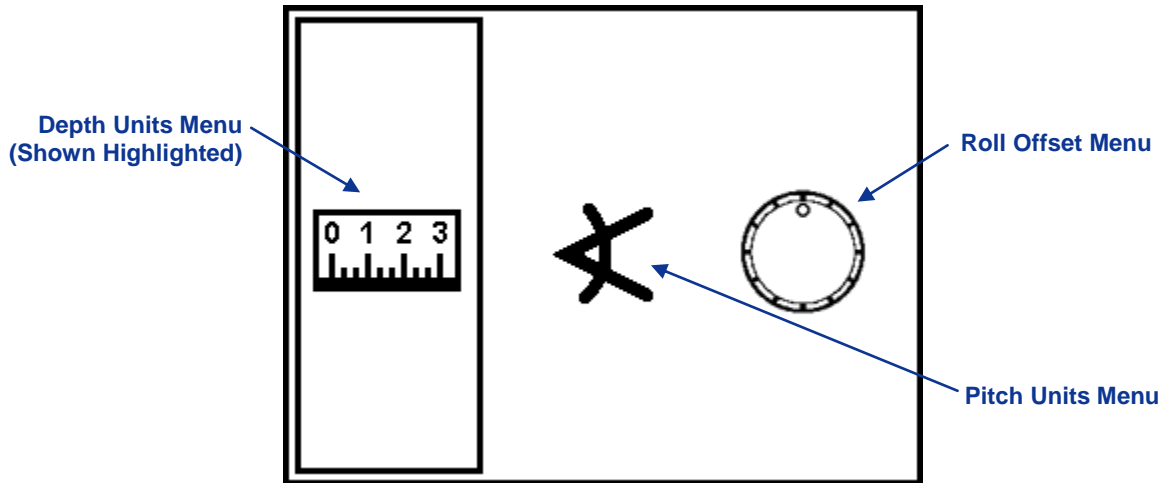
Successful 2PT CAL Screen

After the 2-point calibration procedure has passed, verify the distance between the two calibration points by taking depth measurements at the first point and the second point and then determining the difference between the two values. The difference should be $3 \text{ ft} \pm 2 \text{ in.}$ (or $1 \text{ m} \pm 5 \text{ cm}$). Repeat these measurements several times as you continue drilling to verify that the depth remains valid as the pitch of the transmitter changes.

Units & Roll Offset Menu



The units and roll offset menu allows you to change the depth and pitch units as well as to set a roll offset when the drill head's 12 o'clock position does not match that of the transmitter. When this menu item is selected, the following screen will appear with the depth units option highlighted, as shown below.



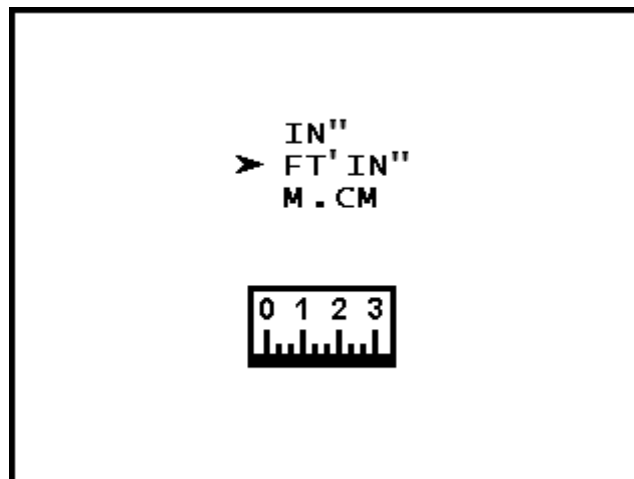
Receiver Units & Roll Offset Menu

Click the trigger to scroll between the depth units, pitch units, and roll offset options. Hold the trigger in when the desired option is highlighted.

Depth Units Menu



The depth units menu displays three options: IN" represents the use of inches only; FT' IN" represents the use of both feet and inches; and M . CM represents the use of metric units (meters and centimeters). An arrow points to the current setting, which is feet and inches in the example shown below.



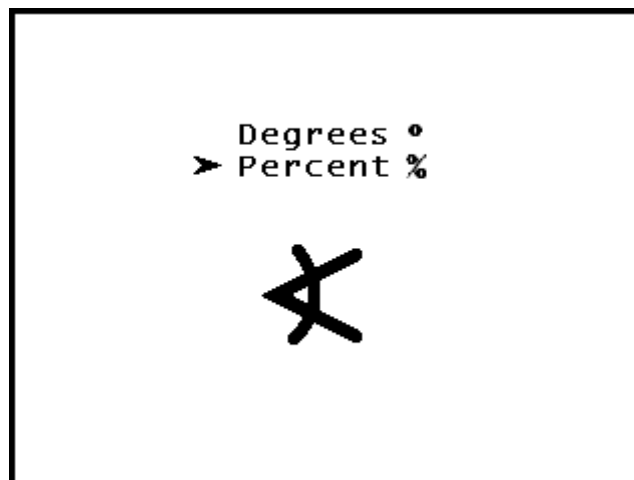
Depth Units Menu

To change the depth units setting, click the trigger to scroll the arrow through the three options. When the arrow is next to the desired setting, hold the trigger in to select it. A checkmark will appear in place of the arrow, and you will hear the confirmation signal.

NOTE: The temperature units are determined by the depth units selected. Celsius (°C) temperature units will display if metric depth units are selected, and Fahrenheit (°F) temperature units will display if English depth units (inches or feet and inches) are selected.

Pitch Units Menu

The pitch units menu displays the two available options: percent (%) and degrees (°), with an arrow next to the current setting.

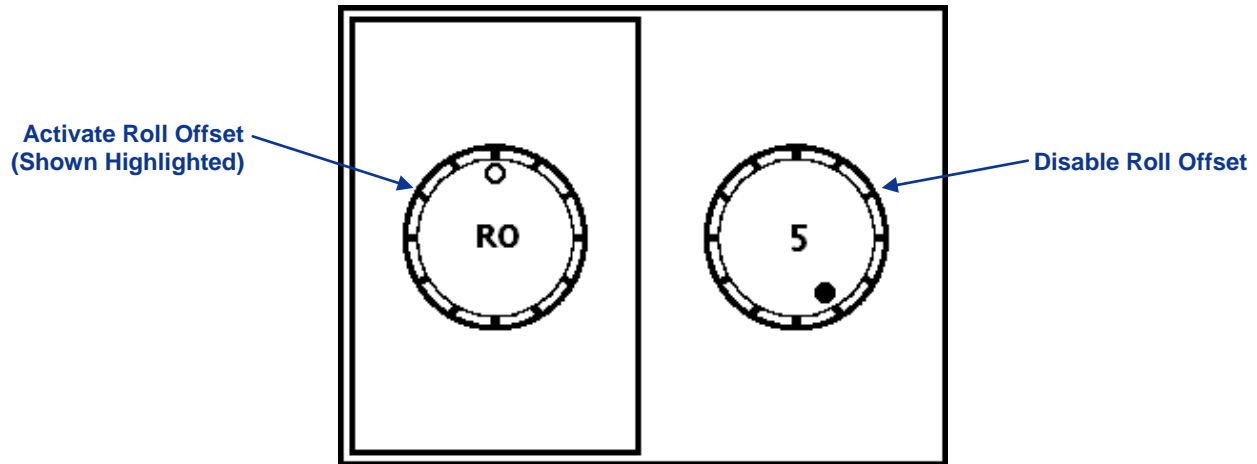


Pitch Units Menu

To change the pitch units setting, click the trigger to toggle between the two options. Hold the trigger in when the arrow is next to the desired option. A checkmark will appear in place of the arrow, and you will hear the confirmation signal.

Roll Offset Menu

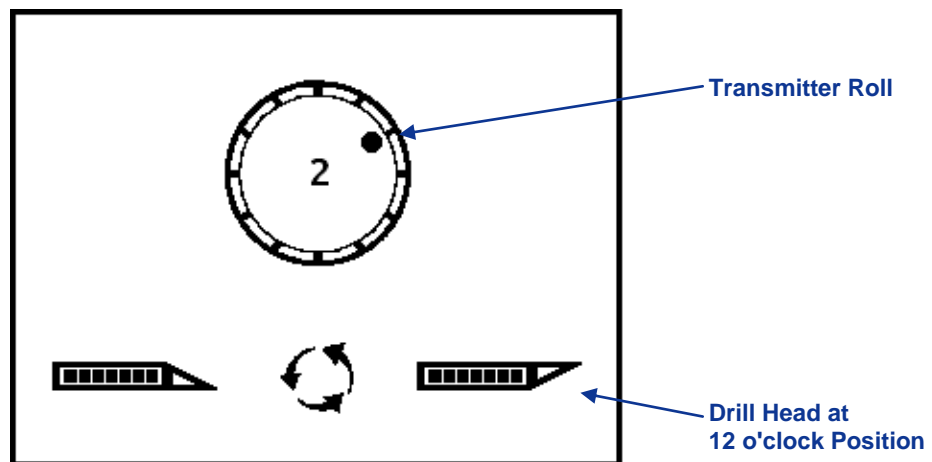
The roll offset menu activates or disables the roll offset function, which is used when the drill head (tool) and the housing are two separate pieces and their roll positions do not match when the tool is torqued-up to the housing. The roll offset function is an electronic compensation to match the transmitter's 12 o'clock position to the tool's 12 o'clock position.



Roll Offset Menu

Click the trigger to toggle between the two options. Hold the trigger in when the desired option is highlighted.

After the activate roll offset option is selected, the following screen will appear. Once this screen has been accessed, you will have 8 seconds to click the trigger or the display will return to the locate mode screen with no change to the roll offset.



Activate Roll Offset

You must then physically rotate the drill head to its 12 o'clock position, as indicated by the images at the bottom of the screen. Then click the trigger to activate the roll offset; the display will automatically return to the locate mode screen. If you do not click the trigger within 8 seconds, the display will return to the locate mode screen with no change to the roll offset. Roll offset is denoted by a hollow dot in place of the solid dot on the clock face and the letters "RO" next to the clock.

NOTE: If using an MFD or FSD remote with SE software or an SED remote, the RO symbol will appear next to the clock on the remote display as well. If using a Mark Series remote, no RO symbol will appear but the roll value will be the offset value shown on the SE receiver.

Remote Steering Menu

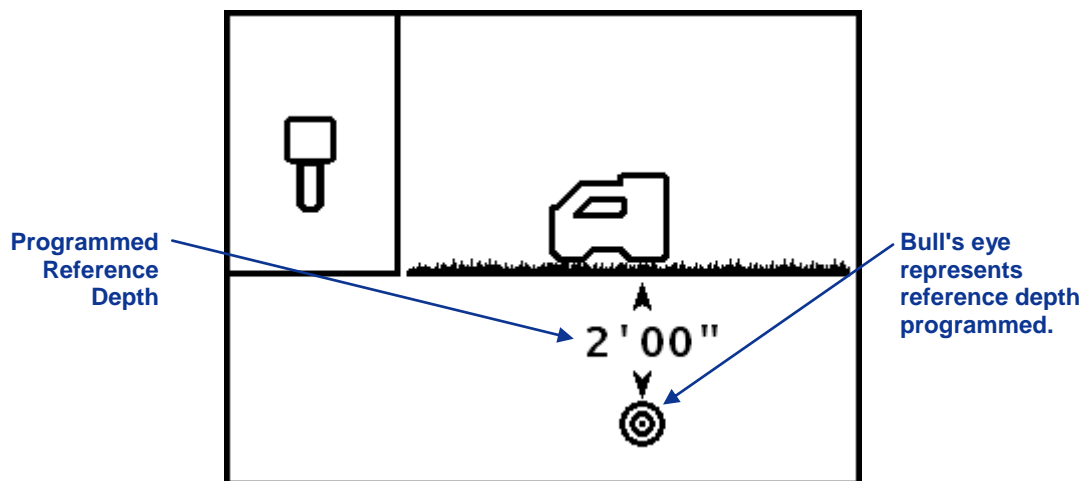
The remote steering function allows you to place the SE receiver in front of the drill head to use as a left/right steering target. See the *Remote Steering* section for detailed information on determining where to place the receiver and how to steer to it. This section gives instructions for using the remote steering menu.

The remote steering function is turned on by programming a reference depth. A correct reference depth ensures proper sensitivity for the left/right steering instruction on the remote display. Select a reference depth that matches your current drilling depth.

The first screen of the remote steering menu turns on remote steering to the reference depth displayed: either the default value (2 ft or 0.50 m) or the value that was most recently set. The second screen turns off the remote steering function and returns you to the standard locate mode screen. The third screen allows you to set a reference depth for appropriate left/right steering sensitivity.

Turn On Remote Steering

The turn on remote steering screen displays the current or default reference depth.



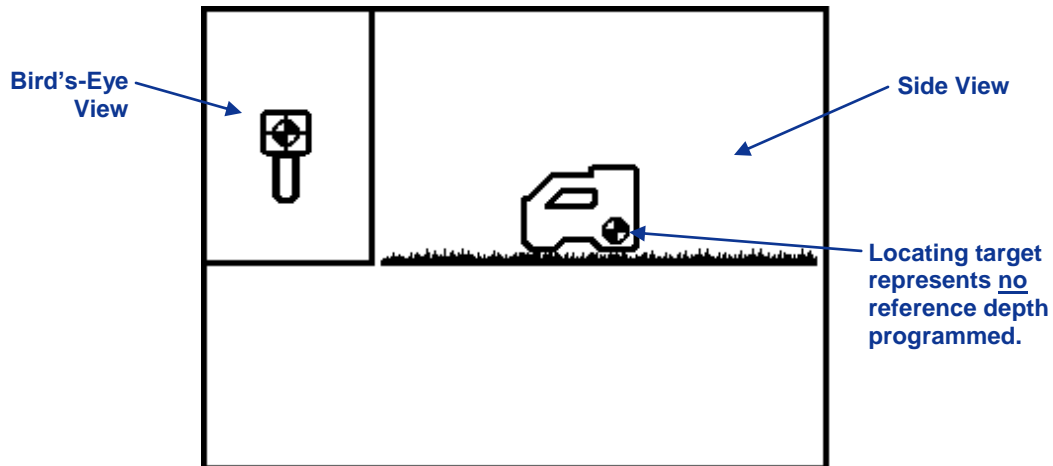
Turn On Remote Steering Screen

Hold the trigger in to turn on the remote steering function and set the reference depth to the displayed value. A checkmark will appear next to the receiver icon and you will hear the confirmation signal.

Click the trigger to advance to the turn off remote steering screen.

Turn Off Remote Steering

The turn off remote steering screen displays the locating target in the box in both the bird's-eye (overhead) and side views.



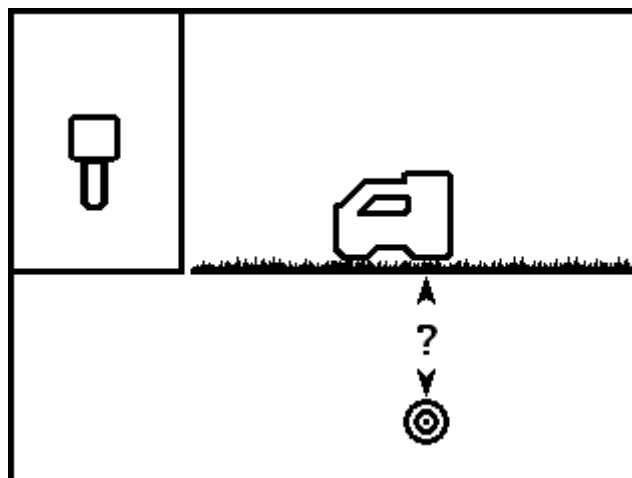
Turn Off Remote Steering Screen

To turn off the remote steering function, hold the trigger in to select this option. A checkmark will appear next to the receiver icon, and you will hear the confirmation signal. Then the display will return to the standard locate mode screen.

To advance to the next option without turning off the remote steering function, click the trigger.

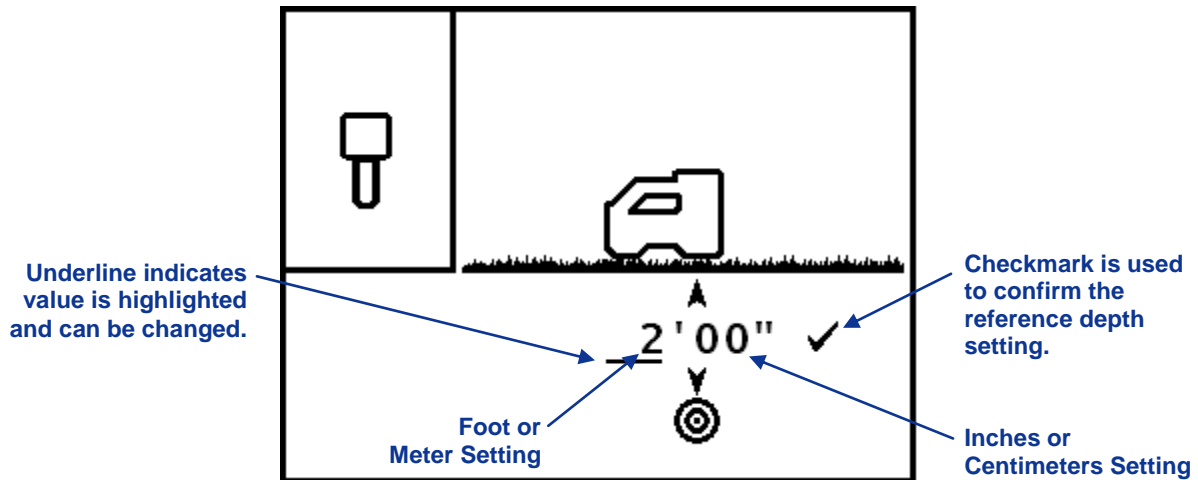
Set Reference Depth

The set reference depth screen is similar to the turn on screen except that a question mark (?) appears in place of the current reference depth setting.



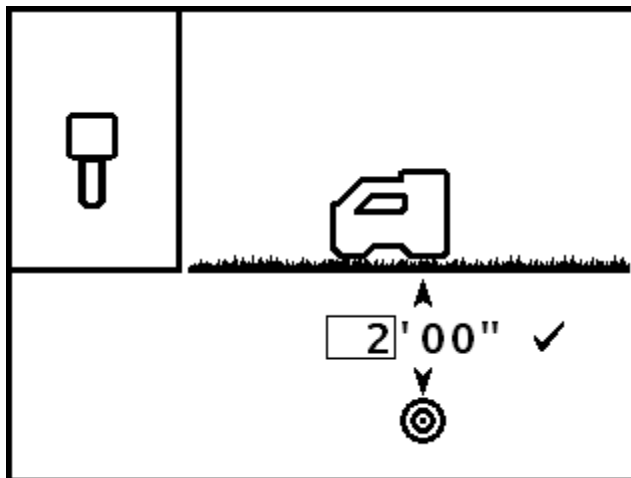
Set Reference Depth Screen

Hold the trigger in to advance to the screen shown below where you can set the reference depth value. At this screen, you can click through the available fields, which are the foot or meter (ft/m) setting, the inches or centimeters (in./cm) setting, and the checkmark (used to confirm the reference depth setting).



Set Reference Depth Value Screen (Foot or Meter Setting Highlighted)

In this example, the line under the number 2 indicates that the ft/m setting is highlighted. To change this setting, hold in the trigger until a box appears around the number 2, as shown below. Once you see the box, click the trigger to increase (in 1-ft or 1-m increments) to the desired number. Once you reach the desired number, hold in the trigger, and the box will turn back into an underline under the ft/m setting.



Set Reference Depth Value Screen (Foot or Meter Setting Selected)

To change the in./cm setting, click the trigger to move the underline to the in./cm position, and then hold the trigger in until a box surrounds the number. Once you see the box, click the trigger to increase in 1-in. or 2-cm increments. Once you have the desired in./cm setting, hold in the trigger.

NOTE: If you click past 11 in. or 98 cm, then the number in the ft/m setting will automatically increase. Also, if you click past your desired value, you can either click through the maximum values (99 ft or 30 m), or wait 10 seconds to exit the menu and then reenter the remote steering menu, to start back at the default value (2 ft or 0.50 m).

To set the displayed value as your reference depth, click the trigger to move the underline underneath the checkmark and hold the trigger in. A confirmation signal will sound.

For information about how to position the receiver ahead of the tool for remote steering, see the *Remote Steering* section.

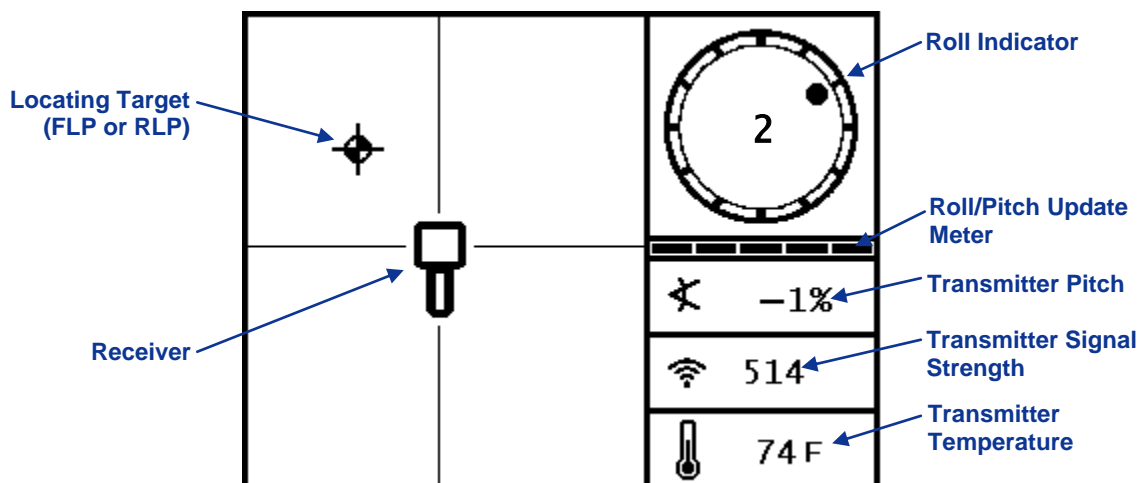
NOTE: When remote steering is not active, a Mark Series remote display will show the steering indicator at the far right. See the *Remote Steering* section for more information.

Display Screens

The basic receiver displays include the locate mode screen, the depth mode screen, and the predicted depth screen. These are presented below. For more information regarding these screens and for detailed locating instructions, please see the *Locating* section.

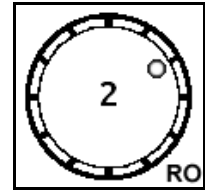
Locate Mode Screen

When a transmitter is in range, the locate mode screen provides real-time data about the transmitter's location, temperature, pitch, roll, and signal strength. The roll/pitch meter shows the quality of the signal from the transmitter. The locate mode screen is the default screen setting.

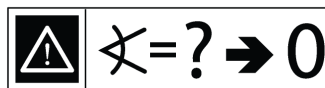


Receiver Locate Mode Screen

When the roll offset function is used (an electronic compensation to match the transmitter's 12 o'clock position to the drill head's 12 o'clock position), the roll indicator will have a hollow dot and the letters RO for roll offset at the bottom right, as shown here. For more information on the roll offset, see "Units & Roll Offset Menu" above.



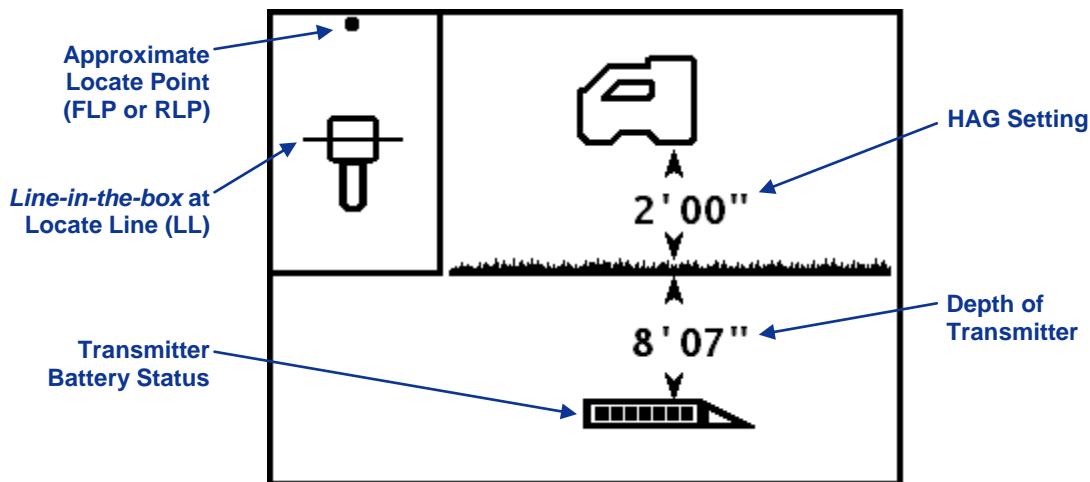
The roll/pitch update meter displays the quantity of roll/pitch data being received from the transmitter. When the meter is empty, no roll/pitch data is being received, and all information will disappear on both the receiver and remote display. Depth and predicted depth readings may still be taken, but the receiver will assume the transmitter has a pitch of zero, as indicated by the following image appearing on the depth or predicted depth mode screen.



Pitch Assumed Zero

Depth Mode Screen

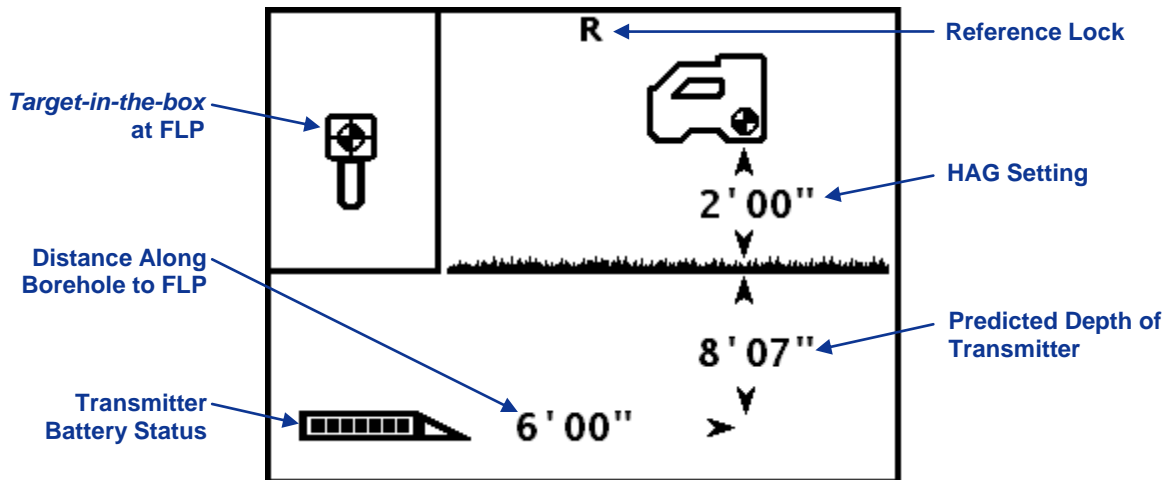
From the locate mode screen, hold in the trigger to access the depth mode screen. This screen shows the battery status of the transmitter. It also provides a depth reading and other data about the position of the transmitter with respect to the receiver.



Receiver Depth Mode Screen at LL with HAG on (Trigger In)


















Predicted Depth Display Screen

When the receiver is positioned at the front or rear locate point (FLP or RLP) and the trigger is held in, you will see the predicted depth screen. The value for predicted depth and horizontal distance are only valid if the receiver is at the FLP and has a verifiable pitch value. Pitch is verified through a valid roll/pitch signal at the receiver or by you when the receiver assumes a pitch of zero. See the *Locating* section for more information regarding the locate points and positioning the receiver at the locate points.



Receiver Predicted Depth Screen at FLP with HAG on (Trigger In)

Standard Receiver Display Screen Symbols

	Transmitter Roll – Shows the transmitter’s roll position. A solid dot indicates the roll position, and the roll value appears in the center of the clock. When roll offset is used, the letters “RO” appear at the bottom left.
	Warning Symbol – Appears when there has been a failure in the self-test.
	Roll/Pitch Update Meter – Shows the quality of data reception from the transmitter (specifically, data rate). This feature lets you know if you are in an area of interference or are reaching the range limit of the transmitter.
	Transmitter Pitch Angle – The number next to this icon on the locate mode screen indicates the transmitter pitch. It is also the menu selection icon for changing the pitch angle units between percent and degrees.
	Transmitter Signal Strength – The number next to this icon on the locate mode screen indicates the transmitter signal strength. During a calibration failure, an up or down arrow with this icon indicates signal strength is too high or too low, respectively.
	Transmitter Temperature – The number next to this icon shows the temperature of the transmitter (Fahrenheit when depth units are in feet or inches, Celsius when depth units are in meters). An up or down arrow and a change in the thermometer level will accompany a change in temperature. The icon will display steam and flash when the transmitter becomes dangerously hot, indicating the transmitter must be cooled immediately or it will be damaged.
	Receiver Icon – Indicates the position of the receiver relative to the ground for the HAG function, depth readings, the two-point calibration procedure, and the remote steering function.
	Ground Level – Represents the ground for the HAG function, depth readings, and the two-point calibration procedure.
	Locating Icon – Represents a bird’s-eye view of the receiver. The square at the top of this icon is referred to as the “box” in the terms <i>target-in-the-box</i> and <i>line-in-the-box</i> locating.
	Locate Target – Represents the front and rear locate points (FLP and RLP). When the locate line appears, the locate target will become a solid circle (ball) representing the approximate locate point. See the <i>Locating</i> section.
	Locate Line – Represents the locate line (LL). The LL is found at some location between the front and rear locate points only after a reference point has been obtained. See the <i>Locating</i> section.
	Reference Lock – Indicates that a reference signal has been obtained for locating the transmitter. See the <i>Locating</i> section.
	Transmitter Battery/Drill Head – Depicts the remaining battery life of the transmitter when alkaline batteries are used (full battery shown here). Also used to represent the position of the drill head relative to the receiver in the depth screen.
	Receiver Battery – Depicts the remaining battery life of the receiver (shown 80% full here). Displayed on the main menu screen. When empty, the icon will appear on the locate mode screen and will flash signifying that it is critical to change the battery immediately.
	Remote Steering – Allows the remote steering function to be turned on, turned off, or programmed to a new reference depth.
	Globe Icon – Identifies the regional designation number that appears on the receiver startup screen; must match that on the transmitter battery compartment.
	Trigger Click Prompt – Appears on the calibration screens to indicate that a trigger click is required.

Transmitter

Types of SE Transmitters

DCI manufactures two battery-operated transmitters for use with the SE system: the standard-range ST 12 transmitter and the short-range SES transmitter. Both transmit a signal at 12 kHz and provide pitch readings in 1% or 1° increments (from 0% to 100% or 0° to 45°).

The transmitter fits inside the drill housing and emits electromagnetic signals that the SE receiver “hears”. The receiver converts these signals to display the drill head location, position, and heading on the receiver and remote display screens. An index slot at the front end assists in proper alignment of the transmitter in the housing.

The transmitter and receiver must have matching regional designation numbers to ensure that they comply with local operating requirements. The transmitter’s regional designation number is located inside the globe icon (🌐) near the serial number on the battery compartment of the ST 12 transmitter and on the front end cap of the SES transmitter. This number must match that of your receiver for proper communication (see *Receiver* section).



Standard-Range ST 12 Transmitter

The standard-range ST 12 transmitter provides a depth range of approximately 50 ft (15.2 m). It measures 15 in. (38.1 cm) long and 1.25 in. (3.175 cm) in diameter. The short-range SES transmitter provides a depth range of approximately 15 ft (4.6 m) and is 8 in. (20.32 cm) long and 1.00 in. (2.54 cm) in diameter.



Short-Range SES Transmitter with Closeup of Front End Cap

The following table lists the transmitters compatible with the SE system, including part number, model number, brief description, system type, maximum range, and operating frequency.

Transmitters Compatible with SE System

Part No.	Model No.	Description	Type	Maximum Range*	Frequency
SES	SES	Short range	SE	15 ft (4.6 m)	12 kHz
ST 12	HDT	Standard range	SE	50 ft (15.2 m)	12 kHz
DDS 12	DDS 12	DucTrak – short range	DucTrak	40 ft (12.2 m)	12 kHz
DDT 12	DDT 12	DucTrak – long range	DucTrak	80 ft (24.4 m)	12 kHz

*The range of any transmitter is largely dependent upon the amount of interference at a job site. The range decreases as interference increases.

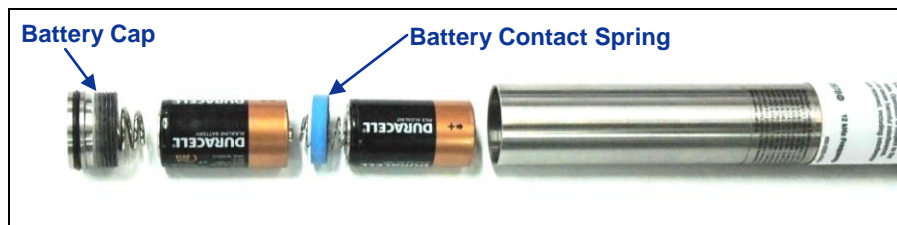
Batteries and Power On/Off

The standard-range ST 12 transmitter requires two C-cell alkaline batteries or one DCI SuperCell Lithium Battery. The short-range SES transmitter requires one AA alkaline battery.

NOTE: Never use damaged or non-DCI lithium batteries. DCI SuperCell batteries are manufactured to military specifications. The use of damaged or lower-quality lithium batteries may damage the transmitter and/or housing and will void the DCI warranty.

Installing Batteries / Power On

The transmitter is powered on once the batteries are installed properly. To install the batteries, first remove the battery cap by rotating it counterclockwise. Then insert the batteries positive terminal first into the battery compartment and replace the battery cap, ensuring that it bottoms out for a proper seal. When using two C-cell batteries in the ST 12 transmitter, performance is improved by placing a battery contact spring between the batteries, as shown below.



Installing Transmitter Batteries with Anti-Chatter Spring

Use a compatible receiver to verify the signal from the transmitter. Roll, pitch, and a stable signal strength reading should be observed on the receiver.

Transmitter Battery Status

When using alkaline batteries, the battery status symbol at the bottom of the receiver's depth mode screen will indicate the battery life remaining. When using a DCI SuperCell battery in the ST 12 transmitter, the battery status symbol will appear full until just before the battery dies.

NOTE: Because the SuperCell battery will appear full until just before it dies, you must track the hours of use for the SuperCell battery.

Sleep Mode (Automatic Shutdown) / Power Off

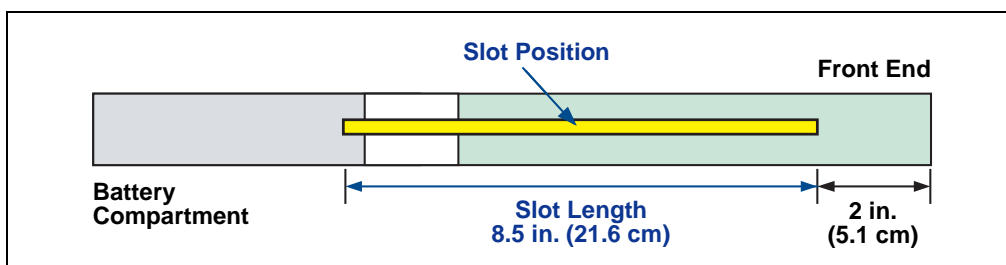
SE transmitters will go into sleep mode and stop transmitting to conserve battery power if they are stationary for longer than 15 minutes. To "wake" the transmitter, rotate the drill string.

A small amount of charge will continue to drain from the batteries while the transmitter is in sleep mode. To conserve battery life, do not leave batteries in the transmitter when they can easily be removed, and always remove batteries when the transmitter is not being used.

Transmitter Housing Requirements

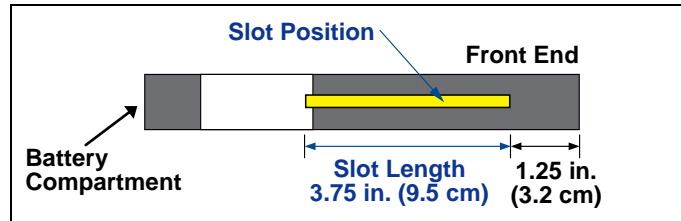
For maximum transmitter range and battery life, the slots in the drill housing must meet minimum length and width requirements and be correctly positioned. DCI recommends at least three slots equally spaced around the circumference of the housing. Each slot must be at least 1/16 or 0.0625 in. (1.6 mm) wide. For accuracy, slot measurements must be taken from the inside of the housing.

For the standard-range ST 12 transmitter (15 in./38.1 cm long), the slots must be at least 8.5 in. (21.6 cm) long and begin at least 2 in. (5.1 cm) but not more than 3 in. (7.6 cm) from the front of the transmitter, as shown below.



ST 12 Transmitter Housing Slot Requirements

For the short-range SES transmitter (8 in./20.32 cm long), the slots must be at least 3.75 in. (9.5 cm) long and begin at least 1.25 in. (3.2 cm) from the front or index cap end of the transmitter, as shown below.




SES Transmitter Housing Slot Requirements


The transmitter must fit snugly in the housing. It may be necessary to wrap the transmitter with tape or O-rings and/or use a housing adapter for larger drill housings. Contact DCI for more information.

The index slot in the front end cap of the transmitter should fit onto the anti-roll pin (key) in the housing for proper alignment of the transmitter in the housing. When the drill head's 12 o'clock position does not match that of the transmitter, use the receiver's roll offset function to display appropriate roll values. See "Roll Offset Menu" in the *Receiver* section.

Temperature Updates and Overheat Indicator

SE transmitters are equipped with an internal digital thermometer. The internal temperature of the transmitter is sent to the receiver and remote display every 2 seconds. This temperature is displayed on the bottom right of the receiver display screen next to the transmitter temperature symbol . See the *Remote Display* section if you have an SED remote or the operator's manual provided with your remote display to see how your remote graphically indicates transmitter temperature.

NOTE: Because the digital thermometer is inside the transmitter, temperature increases due to external drilling conditions will take time to transfer to the transmitter. Any increase in temperature should be dealt with quickly to avoid irreversible damage.

Normal drilling temperatures range from 64°F (16°C) to 104°F (40°C). You should suspend drilling when temperatures exceed 95°F (35°C) to permit cooling. Once the temperature reaches 118°F (48°C) the thermometer icon will change to display steam and it will flash: . At this point, the transmitter has become dangerously hot and must be cooled immediately or it will be damaged.

To stop temperature increases and cool the transmitter, slow or stop drilling and/or add more drilling fluid.

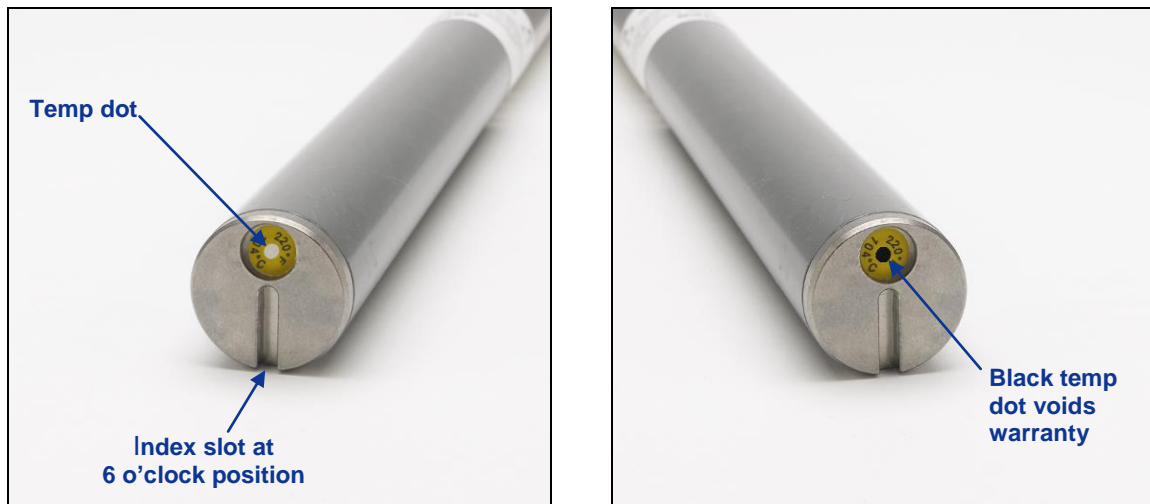
Transmitter Temperature Warning Tones

The audible tones emitted by the SE receiver and remote display to indicate increases in the transmitter temperature are summarized in the table below.

Temperature	Warning Tones
Below 61°F (16°C)	No tones for temperature increases.
61–97°F (16–36°C)	Double-beep sequence (beep-beep) for every 4°C increase in temperature.
104–111°F (40–44°C)	Two double-beep sequences (beep-beep, beep-beep) for every 4°C increase in temperature. NOTE: Action is required to cool the transmitter.
118–133°F (48–56°C)	Three double-beep sequences (beep-beep, beep-beep, beep-beep) for every 4°C increase in temperature. NOTE: Cooling is critical to avoid irreversible damage.
Above 140°F (60°C)	Three double-beep sequences every 5 seconds on the remote display, and every 20 seconds on the receiver. NOTE: Warning signifies dangerous drilling conditions; irreversible damage may have already been done.
Above 176°F (80°C)	SES transmitter shuts down.
180°F (82°C)	SES transmitter overheat indicator (temp dot) turns black (see below).
Above 183°F (84°C)	ST 12 transmitter shuts down.
220°F (104°C)	ST 12 transmitter overheat indicator (temp dot) turns black (see below).

Transmitter Overheat Indicator (Temp Dot)

The transmitter has a temperature overheat indicator (temp dot) on the front end cap. The temp dot has an outer yellow ring with a 1/8-inch (3-mm) white dot in the center. The white dot will change color if the transmitter is exposed to excessive heat.



Front End Cap of Transmitter Showing Temp Dot, Index Slot, and Black Temp Dot

If the temp dot changes to silver or gray, then the transmitter has been exposed to heat but not in excess of the specifications. If the temp dot is black, then the transmitter has been exposed to temperatures in excess of 220°F (104°C) for an ST 12 transmitter or 180°F (82°C) for an SES transmitter and can no longer be used. The DCI warranty will be void for any transmitter that has been overheated (black dot) or had its temp dot removed.

Avoid transmitter overheating by practicing proper drilling techniques. Abrasive soils, clogged jets, inadequate mud flow, and poorly mixed mud are some of the factors that can contribute significantly to the overheating of a transmitter.

Remote Display



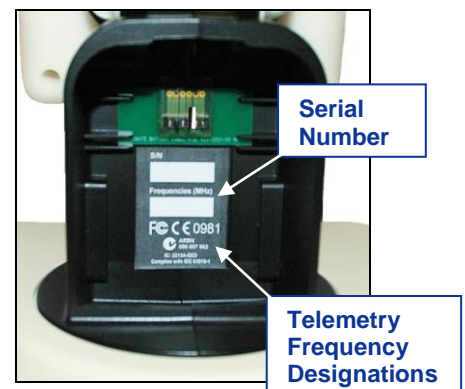
DigiTrak SE Display (SED)

General Description

The DigiTrak SE display (SED) is designed to be used only with an SE receiver. It provides the drill rig operator with information from the receiver about the depth, orientation, and status of the transmitter. The SED remote is powered by a DCI NiMH or lithium-ion battery pack and is operated using a push button to turn on and off the unit, to open menus, to select menu items, and to adjust the screen contrast. This section explains these operations and provides instructions for reading the screen displays.

An external 13 in. (33 cm) telemetry antenna is supplied with your DCI equipment. It mounts onto the remote display to enhance signal reception up to 1000 ft (305 m) with line of sight to the receiver.

To meet regional requirements and for proper communication, one of the frequency designations shown on the remote's serial number label inside the battery compartment (see photo to the right) must match that shown on the receiver. The receiver's frequency designation is located on the serial number label inside the receiver's battery compartment (see *Receiver* section).



SED Serial Number Label

Installing and Removing the Battery Pack

The DCI NiMH or lithium-ion battery pack is installed in the SED remote's battery compartment to provide power to the remote display.

To install the battery pack, hold it with the tab facing up and away from the SED and insert it into the battery compartment. The battery pack is properly installed when the tab is latched and the battery is flush with the remote, as shown in the photo to the right.

To remove the battery pack, push down on the battery tab and pull it away from the remote until the tab is released.



**SED Remote with
Battery Pack Installed**

Power On/Off

Once you have installed a charged battery pack in the SED remote, then you can operate the unit. The power on and off functions are as follows.

Power On – Press the button on the front of the remote for a half-second or more. You will hear a tone and the main display screen will appear.

Power Off – Push and release the button on the front of the remote to access the main menu screen. Push the button again to highlight the power off menu (see “Main Menu” later in this section), and then hold the button down until you hear four long beeps indicating the unit has been turned off.

Push Button

The push button user interface on the SED remote works much like the trigger on the SE receiver. Clicking the button versus holding in the button will result in different actions.

Click – Quickly pushing and releasing the button. This action is used to open the main menu and advance through menu options.

Hold – Holding the button in for 1 second or more. This action is used to select menu items and adjust the screen contrast.

Audible Tones

The SED remote gives audible tones to signal power on/off, menu changes, and the pass/fail status of actions, as summarized below. The remote also emits tones with transmitter temperature increases (see “Transmitter Temperature Warning Tones” in the *Transmitter* section).

Power On – One short beep followed by a long beep.

Power Off – Four long beeps.

Confirmation Signal – Four short beeps to confirm menu selection has been successfully executed.

Failure Signal – Two long beeps to indicate a problem with the menu item selected. A failure screen will appear. The failure screen will display until the button is clicked.

Adjusting Screen Contrast

There are two ways to adjust the screen contrast. The easiest method is to hold the button in with the remote on at the main display screen. Release the button when the screen contrast is adjusted to the desired level. The other way is by using the contrast adjustment option in the main menu (see “Main Menu” later in this section).

Adjusting the Viewing Angle

The SED remote allows you to adjust the viewing angle through a range of 180° left/right, 90° up/down, and 270° about the display's center.

Up/Down – Loosen and squeeze the two knobs on the back of the remote display, then adjust the screen as desired and tighten the knobs. If the knobs are loose, the display will hold its vertical position only until the knobs are squeezed together or the display is vibrated. Thus, DCI recommends tightening the knobs before drilling.



Loosen Display Knobs



Adjust Viewing Angle



Tighten Display Knobs

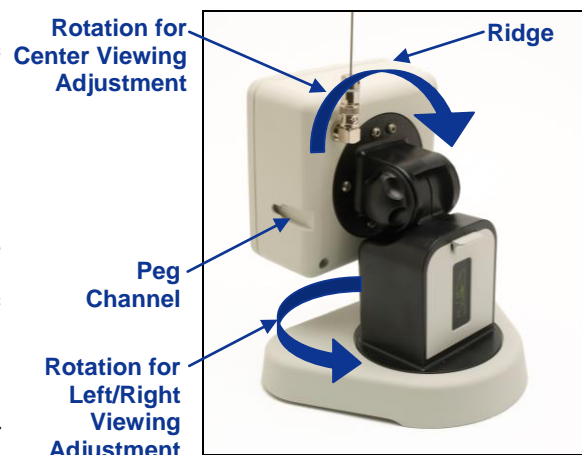
Left/Right – When the SED remote's magnetic base is secure, you can adjust the left-right viewing angle by rotating the display about the base.

Center – With the magnetic base secure, take hold of the display and rotate it to the desired orientation.

Attaching and Removing Visor

The removable visor on the SED remote shields the screen from environmental conditions such as rain and sun. The visor is held in place by a ridge on the top of the display and channels on the sides of the display.

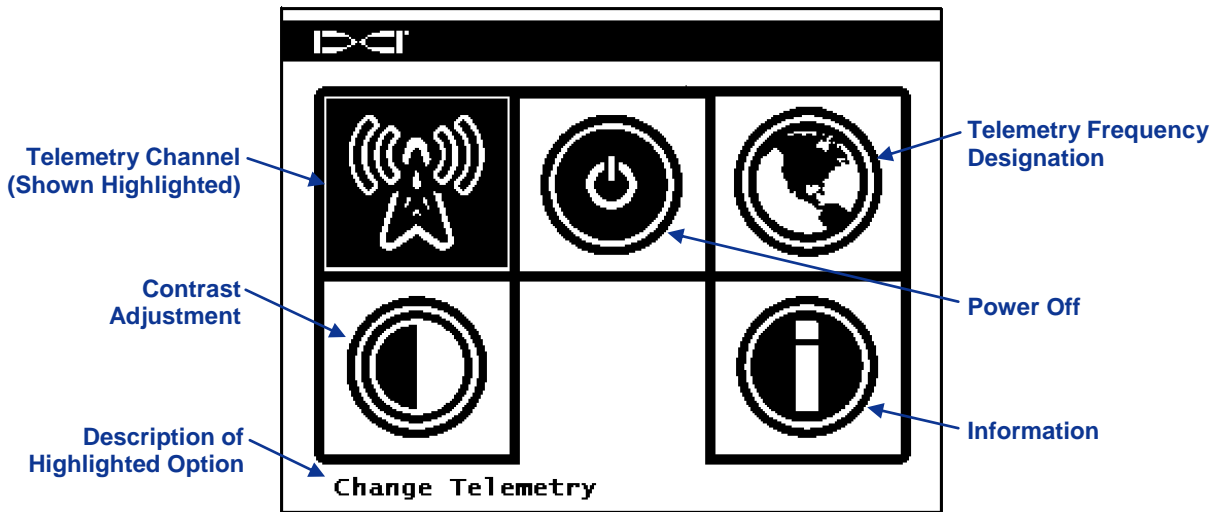
To install the visor, slide the pegs on the visor along the peg channels on the sides of the display until the visor locks over the ridge. To remove the visor, push the visor back over the ridge and along the channels.



Back Side of SED Remote

Main Menu

The main menu is accessed by clicking the button on the display. It shows the menu options with the telemetry channel option automatically highlighted for selection. If no selection is made within 5 seconds, the screen will return to the default main display screen.



SED Main Menu Screen

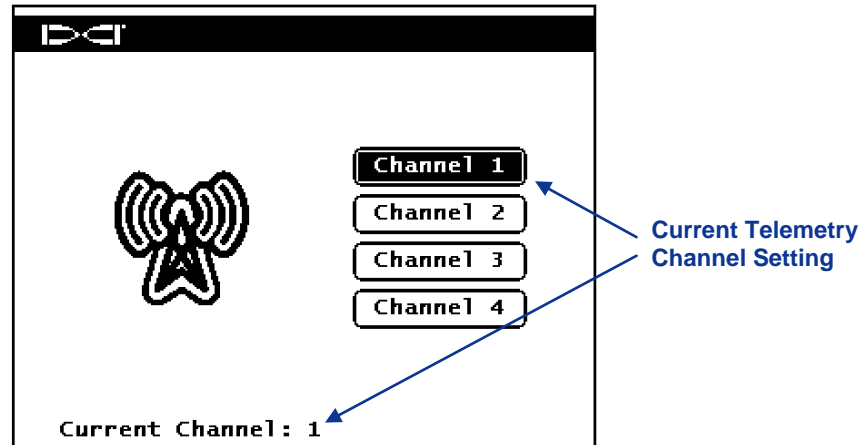
Hold the button in to select the telemetry channel option or click the button to advance to the power off option. Each time the button is clicked at this screen, the next menu item will be highlighted for selection. Hold the button in to select a highlighted item. After you hear the confirmation signal, indicating the item was successfully selected, release the button. The table below lists the main menu options and the result of selecting each item.

SED Main Menu Options

	Telemetry Channel – Opens telemetry channel options: 1, 2, 3, and 4. The remote and the receiver must be set to the same channel and must have the same telemetry frequency designation. See below for instructions.
	Power Off – Turns off the unit. Four long beeps will sound as the unit turns off.
	Telemetry Frequency Designation – Opens the telemetry region options. If you must change this setting, call DCI to determine which setting is required in your area and to verify that it matches the receiver frequency.
	Contrast Adjustment – Allows you to adjust the screen contrast. See below for instructions.
	Information – Displays system information such as the software version, serial number, and current settings.

Telemetry Channel Menu

When the telemetry channel option is selected from the main menu, the following screen will appear with the current telemetry channel shown highlighted and displayed at the bottom of the screen, as shown below.



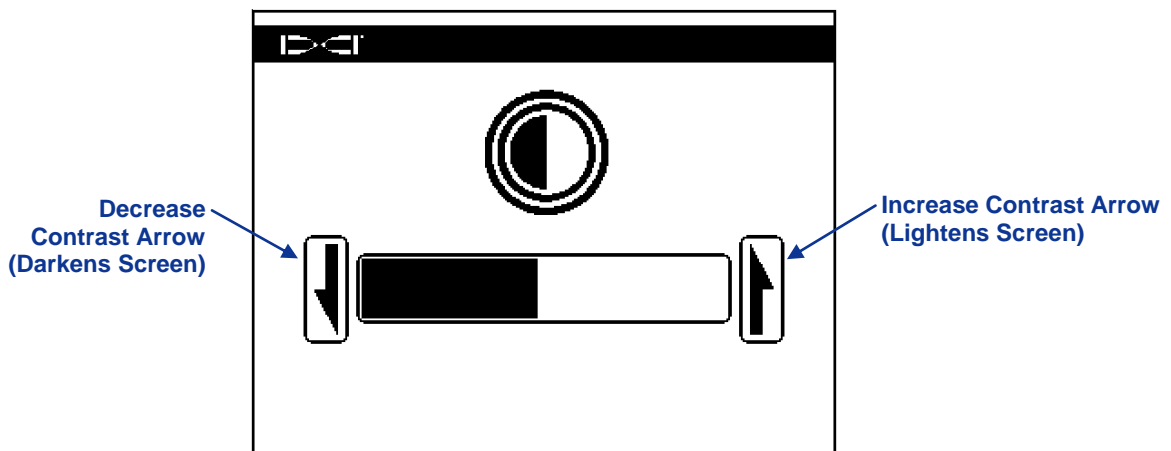
Telemetry Channel Menu

Each time the button is clicked, the next telemetry channel option will be highlighted. Hold the button in to select the highlighted channel. The current channel setting at the bottom of the screen will change, you will hear the confirmation signal, and the display will return to the main display screen.

Contrast Adjustment

The screen contrast can be adjusted from the main display screen by holding in the button on the display and releasing the button when the contrast is at the desired level.

You can also adjust the screen contrast by using the contrast adjustment option. When this option is selected from the main menu, the following screen appears.



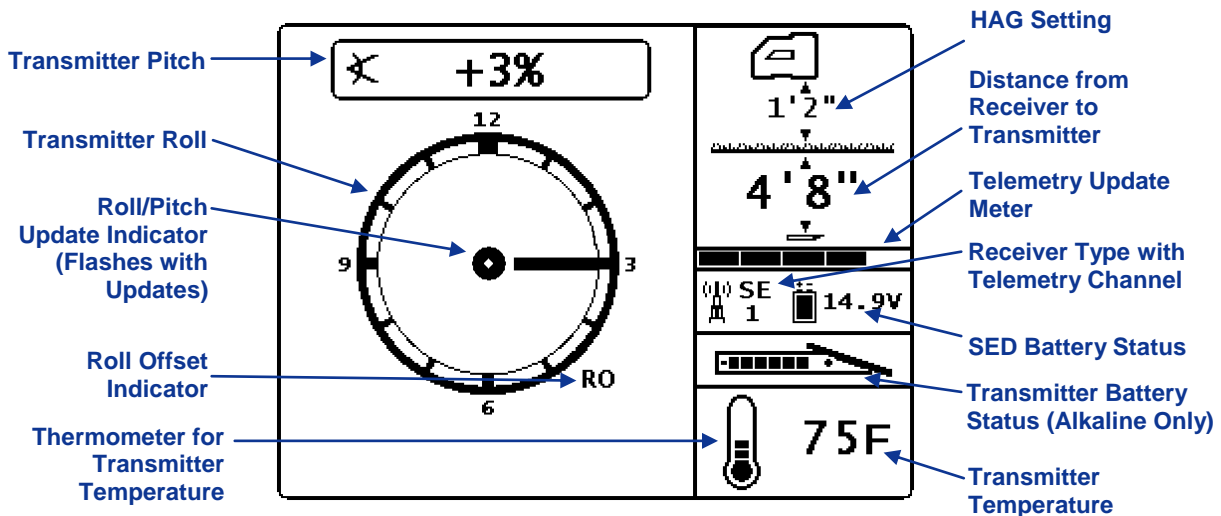
Adjust Screen Contrast

At this screen, click the button on the remote to highlight the desired action: either decrease contrast (left arrow) or increase contrast (right arrow). Adjust the contrast by holding in the button on the remote for one full second after you have selected the decrease or increase contrast arrow. Each time the button is pressed and held for one full second, the contrast will change incrementally. When the screen contrast is adjusted as desired, stop pressing the button on the remote to return to the main display screen.

Display Screens

Main Display Screen

The main display screen is the default screen you will see after turning on the SED remote. It shows the transmitter pitch, roll, battery status, and temperature. The main screen also shows the SED battery status, receiver type, telemetry channel, telemetry update meter, and remote steering data (if programmed). To exit this screen at any time, click the button on the remote to access menu options.



SED Main Display Screen

The telemetry update meter displays the amount of signal being received. If less data is being received, then fewer bars are shown on the meter. If the meter is decreasing or low, you should pause before making steering decisions to ensure you have correct data. When the meter is empty, no telemetry data is being received and all transmitter information will disappear.

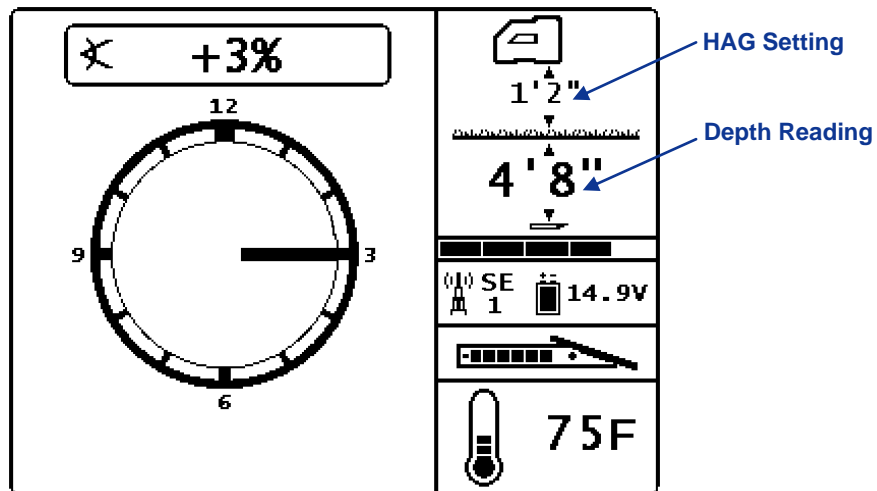
The roll offset indicator (RO symbol) will only appear if you have activated the roll offset function at the receiver.

If a height-above-ground value has not been programmed, the receiver icon will display as on the ground and no HAG value will be displayed.

Depth Display Screen

The depth or predicted depth of the transmitter can be viewed on the remote display, but only when the receiver is positioned at the locate line (LL) or at the front locate point (FLP) with its trigger held in. See the *Locating* section for information on correctly positioning the receiver.

When the receiver is positioned at the LL with the trigger held in, the SED display will change to show the depth reading with arrows pointing to the ground and drill head. When the height-above-ground function is turned on, the receiver icon is shown elevated above the ground with the HAG setting displayed. In the figure below you can see that the HAG setting is 1' 10" to indicate that the receiver is being held that distance above the ground. For more information on the HAG settings, see "Height-Above-Ground (HAG) Menu" in the *Receiver* section.



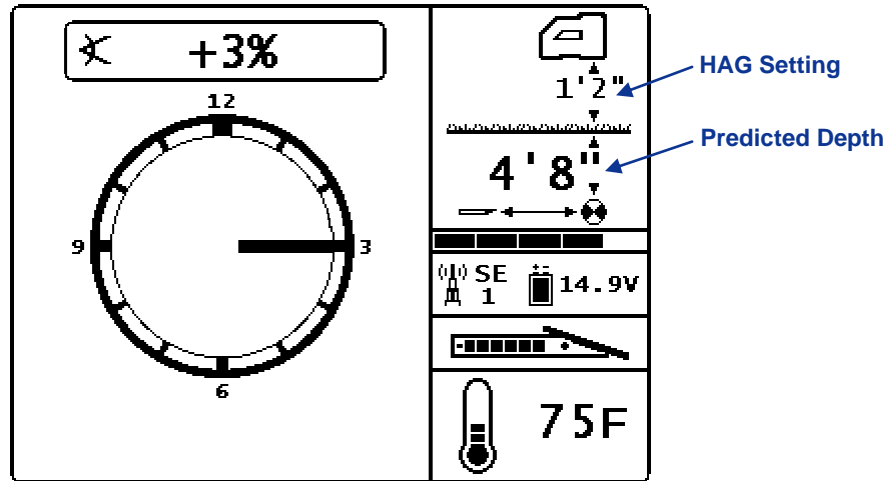
SED Depth Display at Locate Line with HAG On

The depth will display for 10 seconds after the trigger on the receiver is released, and then the display will return to the main display screen.

If a height-above-ground value has not been programmed, the receiver icon will display as on the ground and no HAG value will be displayed.

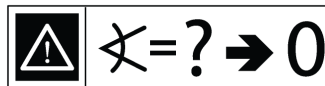
Predicted Depth Display Screen

The predicted depth display screen appears when the receiver is positioned at the FLP or the RLP (rear locate point) and the trigger is held in. However, the predicted depth is only valid at the FLP. The predicted depth display will show arrows pointing to the receiver and the predicted depth point ahead of the transmitter. For more information about the predicted depth, see the *Locating* section.



SED Predicted Depth Display with HAG On

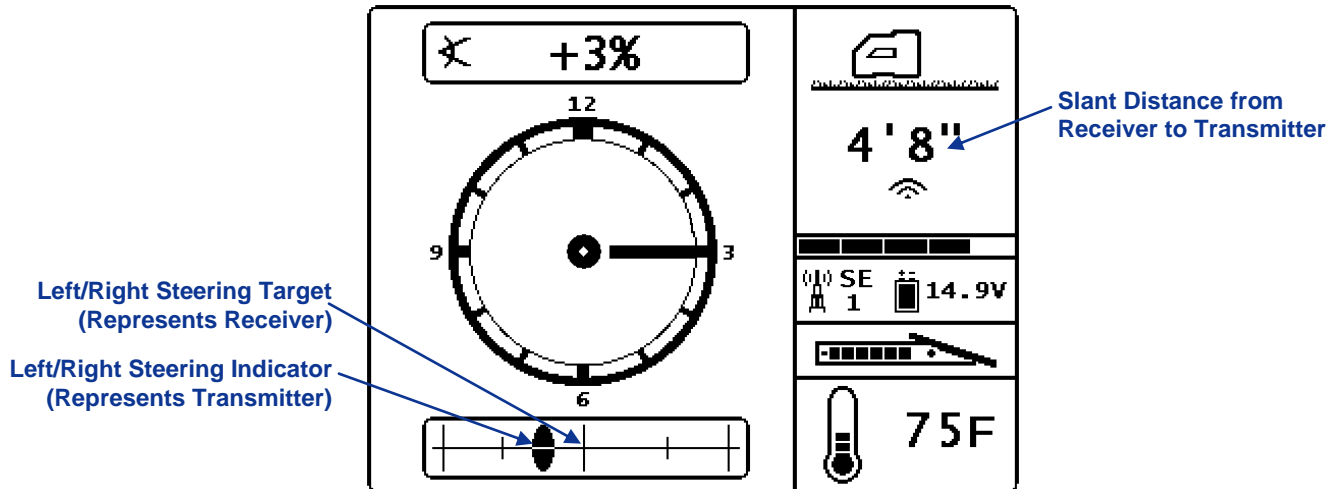
When the transmitter pitch information cannot be obtained at the receiver due to range restrictions or interference, the remote will assume the transmitter has a pitch of zero for depth and predicted depth readings. In this case, the remote will show the transmitter pitch as illustrated below.



Pitch Assumed Zero

Remote Steering Display Screen

The remote steering display screen, shown below, will appear when remote steering has been turned on at the receiver. See "Remote Steering Menu" in the *Receiver* section for more information.

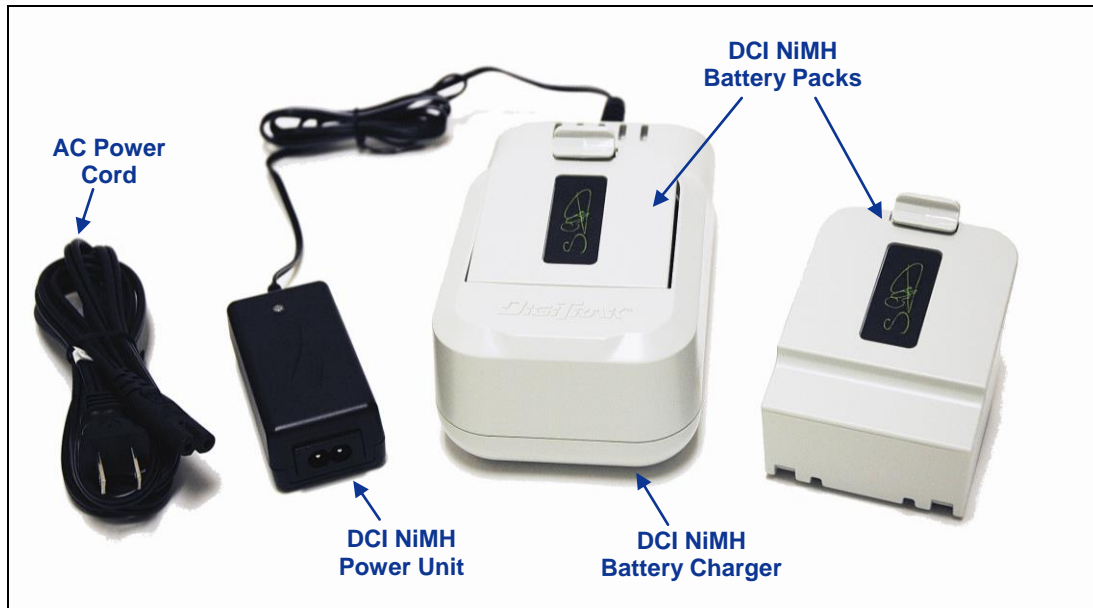


SED Remote Steering Display

The remote steering information is only correct when the receiver is properly positioned beyond the front locate point and within the range limits of the transmitter and remote. See the *Remote Steering* section for information on correctly position the receiver.

Battery Charger

General Description



SE Battery Charger System

The DCI SE Battery Charger (SBC) system includes an AC power cord, a power unit attached to the battery charger, and rechargeable DCI NiMH battery packs. The battery packs are used to power the SE receiver and the SED remote. Only DCI NiMH battery packs can be charged in the SBC charger; trying to charge any other type of battery could result in damage and voiding of the warranty. Although the SE receiver and SED remote can accept a DCI lithium-ion battery pack, you **cannot** charge a lithium-ion battery pack in the SBC charger.

The battery charger operates from an AC (100–240 V, 50–60 Hz, 0.35 A max.) power source. The AC power cord that is shipped with your system is standard to your global area of operation.

A fully charged DCI NiMH battery pack will power an SE receiver for approximately 6 hours and an SED remote for approximately 14 hours before recharging is necessary. A battery will take approximately 3 hours to recharge. If power to the charger is interrupted while charging a battery, the charger will reset and start a new charge cycle when power is again supplied.

NOTE: The DCI NiMH battery pack must be fully charged and fully discharged twice before optimum battery performance can be expected.

This battery charger is only designed for indoor use and should not come into contact with water or dust. To avoid overheating, the charger should not be covered when it is in use.

Power Setup

Connect the AC power cord to the power unit, then plug the cord into an AC power receptacle (wall outlet). Wait until the LED changes to orange before inserting a battery for charging.



Plug AC Power Cord into Power Unit

Charging a Battery Pack

With the battery charger connected to a power source and the LED illuminated orange, insert a battery pack into the battery charger. The battery pack will be flush with the battery charger when it is properly inserted. Do not attempt to charge a non-DCI battery pack or a DCI lithium-ion battery pack.

The LED will remain orange while the battery is initialized in the charger. When charging begins, the LED will change to red. During the final stage of charging, the LED will change to green and then alternately flash orange while the battery is topped-off. The battery is done charging when the LED becomes solid green. It is recommended that the battery be removed from the charger within 24 hours.

After plugging in the charger or removing a battery, wait approximately 15 seconds before inserting another battery pack. The battery charger is ready to charge a battery when the LED turns orange.

If the battery does not reach full charge within 4 hours, the charger will automatically go into trickle charge mode to prevent overheating the battery.

LED	Charger Mode
Orange	Battery not connected.
Orange	Battery initialization and analysis (approximately 30 seconds).
Red	Fast charge (approximately 3 hours).
Green/Flashing Orange	Top-off charge (approximately 15 minutes).
Green	Battery is charged; trickle charge will occur until battery is removed (recommended the battery be removed within 24 hours).
Red/Green Alternating	Error. Contact DCI.

NOTE: SE NiMH battery packs can also be charged in designated F Series Battery Charger systems, although the charging times, battery voltages, and estimated battery lifetimes will be different than for an F Series lithium-ion battery pack.

Locating



Locating in High-Interference Area with the SE Receiver

Introduction

Locating with the SE system is relatively easy and intuitive, but you must understand some locating basics first. This section describes the locate points and locate line; the geometry of these elements with respect to the transmitter; the display screens encountered during locating; and the proper method for marking locate points once they are found. You are then given the standard locating procedure, including tracking “on-the-fly,” and a method for tracking the transmitter when you cannot walk over it, called off-track locating.

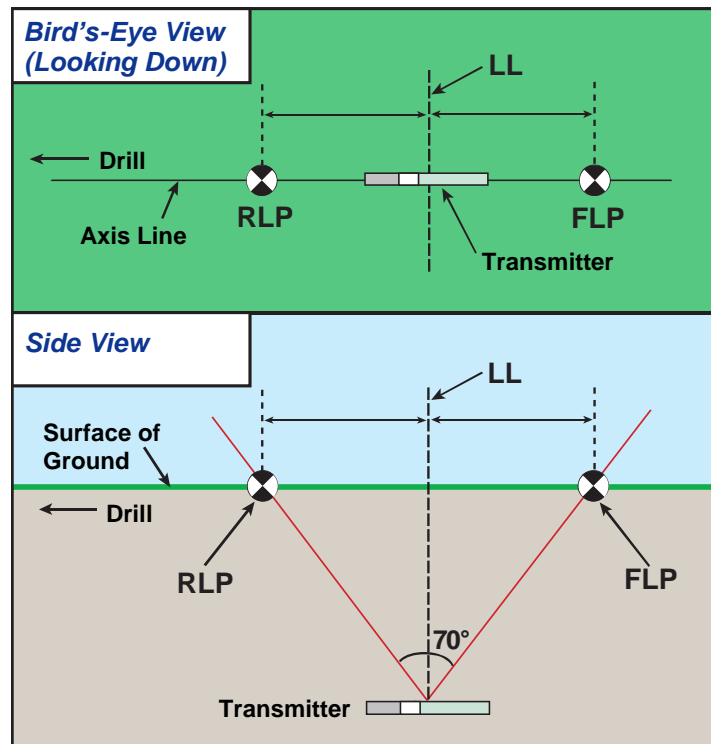
For a detailed explanation of how to track the transmitter when it is steep and deep, please read the information provided in *Appendix B: Projected Depth Versus Actual Depth and the Fore/Aft Offset*.

Locate Points (FLP & RLP) and Locate Line (LL)

The SE receiver locates the transmitter by detecting three specific places in the transmitter's magnetic field: the locate points and the locate line. The locate points are indistinguishable from one another by the receiver. They represent similar points in the transmitter's field in front of and behind the transmitter. The front locate point (FLP) is ahead of the transmitter, and the rear locate point (RLP) is behind the transmitter. (See *Appendix B* for more information about the transmitter's magnetic field.)

The locate line (LL) extends 90° to the left and right of the transmitter and represents the location of the transmitter between the FLP and RLP.

The most accurate tracking requires the use of all three locations to determine the position, heading, and depth of the transmitter. Aligning the FLP and RLP reveals the heading and left/right position of the transmitter. The LL determines the central position and depth of the transmitter when the receiver is properly aligned between the FLP and RLP. The full procedure for tracking is given later in this section under "Standard Method for Locating the Transmitter."



Geometry of FLP, RLP, and LL from Top (Bird's-Eye) and Side Views

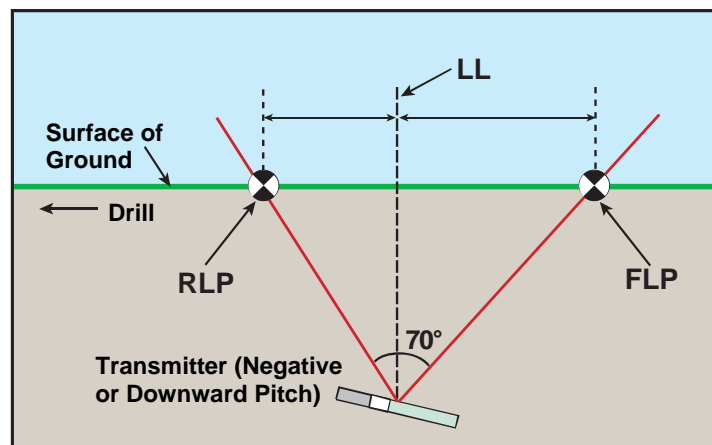
Note how the RLP and FLP are equal distances from the LL when the transmitter is level.

NOTE: If the transmitter pitch exceeds $\pm 30\%$ (or $\pm 17^\circ$) and/or the transmitter depth exceeds 15 ft (4.6 m), the position of the locate line will be somewhat ahead of or behind the transmitter's actual position. In these cases, the depth displayed on the receiver is referred to as the projected depth (see *Appendix B* for more information regarding this situation).

Effects of Depth, Pitch, and Topography on Distance Between FLP and RLP

In general, the deeper the transmitter is, the further apart the FLP and RLP will be. The distance between the FLP and RLP with respect to the location of the LL is also a function of the transmitter pitch and topography. (For more information, see *Appendix B*.)

When the transmitter pitch is negative, the FLP will be further from the LL than the RLP (see figure below). When the transmitter pitch is positive, the RLP will be further from the LL than the FLP. If the ground surface or topography slopes significantly, the locations of the FLP and RLP will also be affected with respect to the LL even if the transmitter itself is level.



Effect of Pitch on Distance Between FLP, RLP, and LL

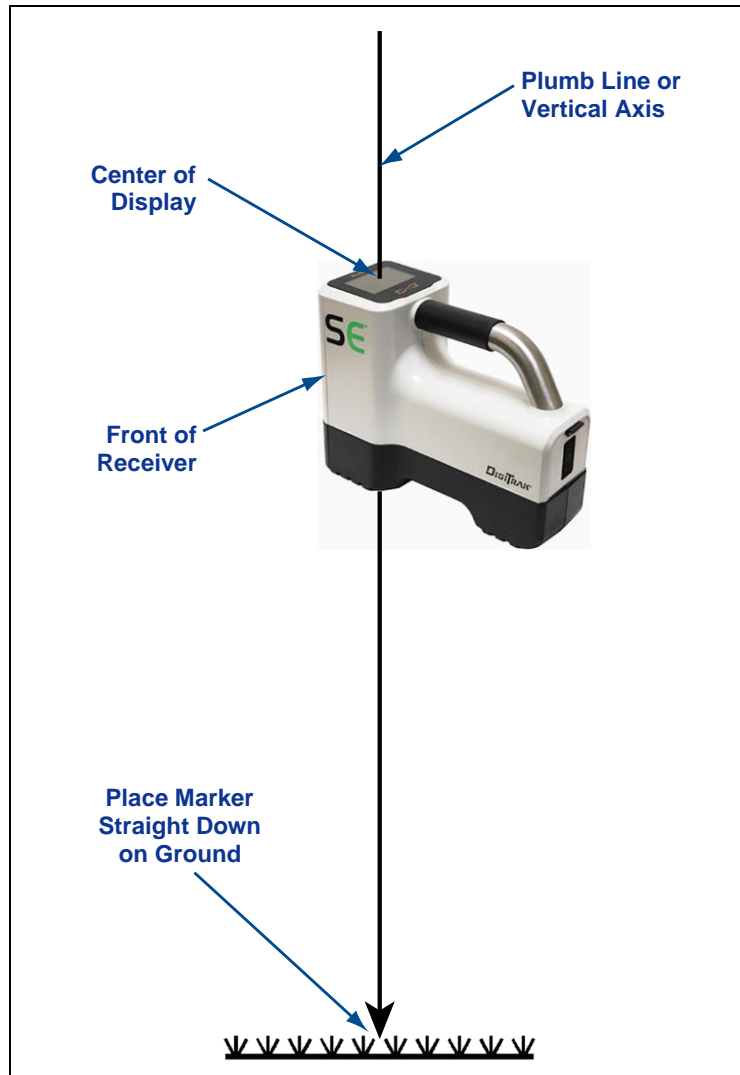
Note how the RLP and FLP are at different distances from the LL when the transmitter is at a negative pitch (compare with figure on previous page in which the transmitter is level).

It is possible to calculate depth (for comparison to the receiver's depth reading) using the distance between the locate points and the pitch of the transmitter. For additional information, see *Appendix C: Calculating Depth Based on Distance Between FLP and RLP*.

It is also possible to track the locate line when walkover locating is not possible, such as when surface obstructions exist or interference occurs. For more information about this feature, called off-track locating, see "Off-Track Locating" at the end of this section.

Marking Locate Points

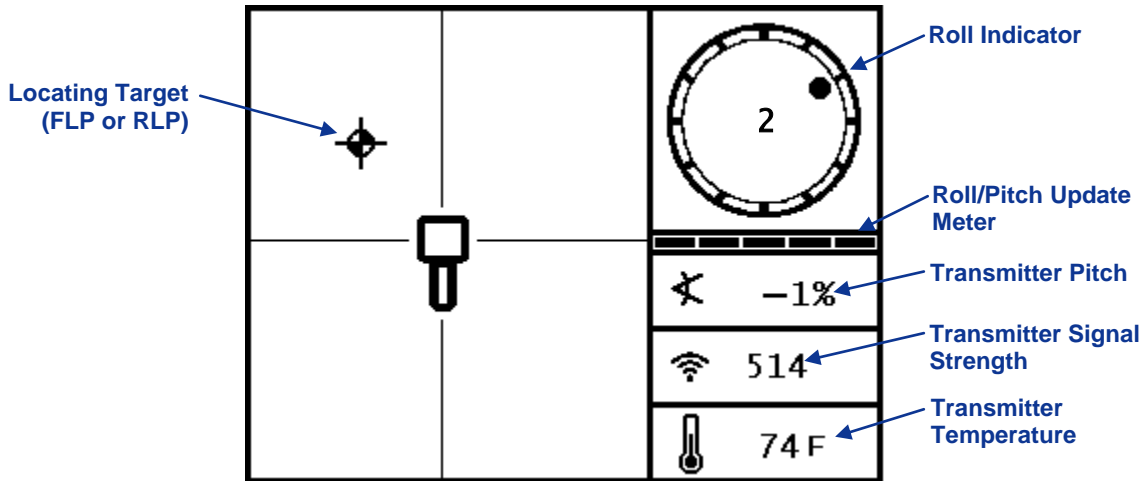
The locate points (FLP and RLP) and the locate line (LL) must be found and accurately marked during the locating procedure. To mark a locate point after you have found it, stand with the receiver level at the locate point. Look down the vertical axis that runs through the center of the display to project a plumb line to the ground (see figure below). The point where this plumb line hits the ground is the location that you should mark.



Plumb Line for Marking Locate Points

Display Screens

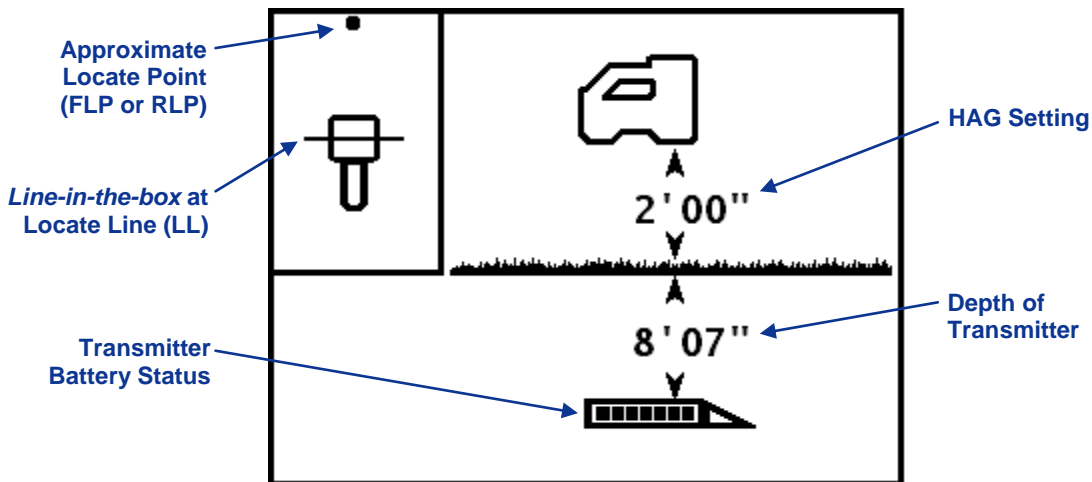
The locate mode screen on the SE receiver provides real-time data about the transmitter's temperature, pitch, roll, and signal strength.



Receiver Locate Mode Screen

When the SE receiver is positioned at the locate line between the FLP and the RLP and the trigger is held in, you will see the depth mode screen. This screen provides more detailed data about the position of the transmitter with respect to the receiver. It also shows the battery status of the transmitter.

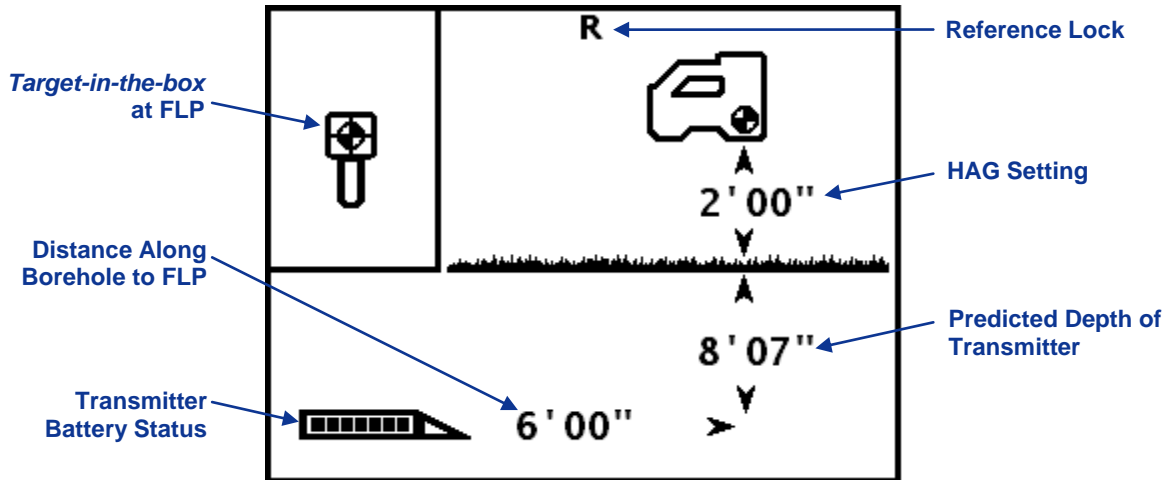
NOTE: The receiver and transmitter must be calibrated together, with the transmitter in the drill housing, before accurate depth data can be displayed. See "Calibration Menu" in the *Receiver* section.



Receiver Depth Mode Screen (at LL with HAG on)

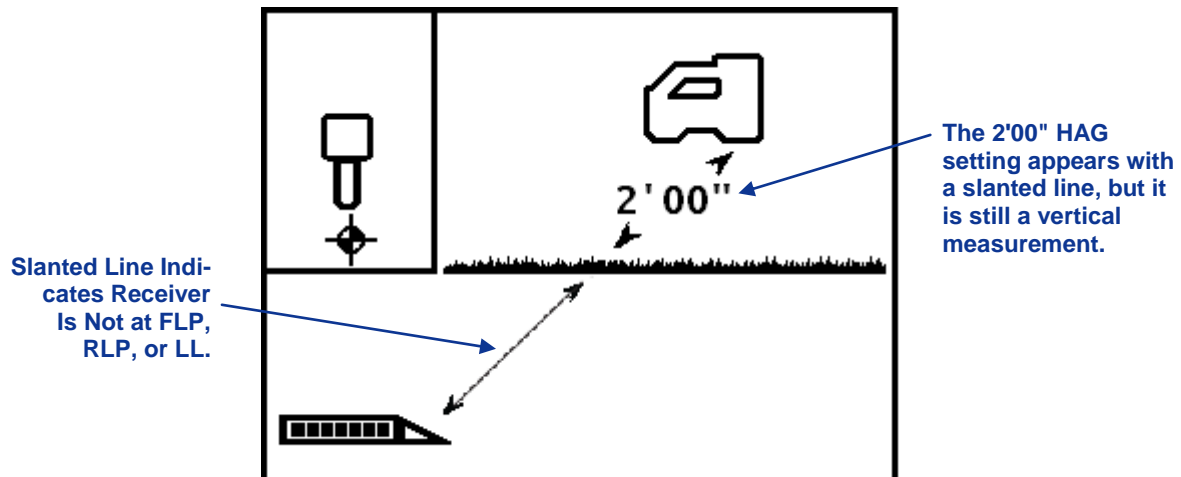
If the HAG is turned off, the receiver will have to be set on the ground for accurate depth readings. In this case, the picture on the depth mode display will show the receiver on the ground.

When the SE receiver is positioned at one of the locate points and the trigger is held in, you will see the predicted depth screen. The value for predicted depth and horizontal distance are only valid if the receiver is at the FLP. The "R" at the top of the screen denotes that the reference signal is being taken. See "Standard Method for Locating the Transmitter" later in this section for more information on the reference lock and positioning the receiver at the locate points.



Receiver Predicted Depth Screen (at FLP with HAG on)

The depth screen can be accessed at any time during locating. However, depth and predicted depth data will only be displayed when the receiver is at the locate line and locate points, respectively. The depth screen will display as follows when the receiver is not positioned at a locate point or the locate line.



Receiver Depth Screen (when not at the LL or LP)

Interference: What It Is and How to Check for It

Before drilling (preferably before bidding on a project) the interference potential at your site should be evaluated. Interference can reduce the transmitter's range or cause variable readings and possibly result in job slowdowns. Interference comes from two different types of sources: active and passive.

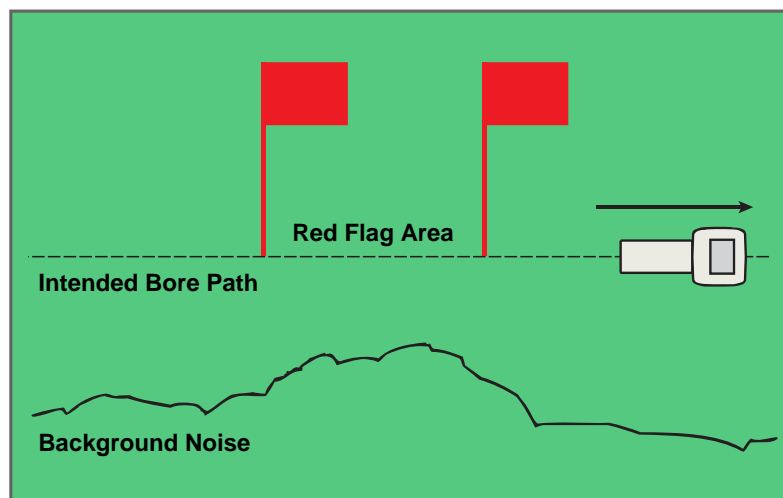
Active interference is also known as electrical interference or background noise and can have varying effects upon the SE locating equipment. Most electrical devices emit signals that can affect your ability to locate the tool accurately or to get good pitch/roll readings. Typically active interference can result in shallower than expected depth readings. Some examples of active interference are traffic signal loops, buried dog fences, cathodic protection, radio communications, microwave towers, cable TV, fiber-trace lines, utility data transmissions, security systems, power lines, and phone lines, to name a few. You can conduct a test for the presence of active interference with your SE system; see "Background Noise Check" below.

Passive interference can reduce the amount of signal received from the transmitter, which results in deeper than expected depth readings or a completely blocked signal. Some examples of passive interference are metal objects (such as pipes, rebar, trench plate, chain-link fence, or vehicles). Two other examples of passive interference are saltwater/salt domes and conductive earth, such as iron ore. You cannot conduct a test for the presence of passive interference with your SE system. Conducting a thorough site investigation prior to drilling is the best method of identifying passive interference sources.

To familiarize yourself with the interference potential along your intended bore path, you must first conduct a background noise check. Then you need to verify the speed and accuracy of the roll and pitch information.

Background Noise Check

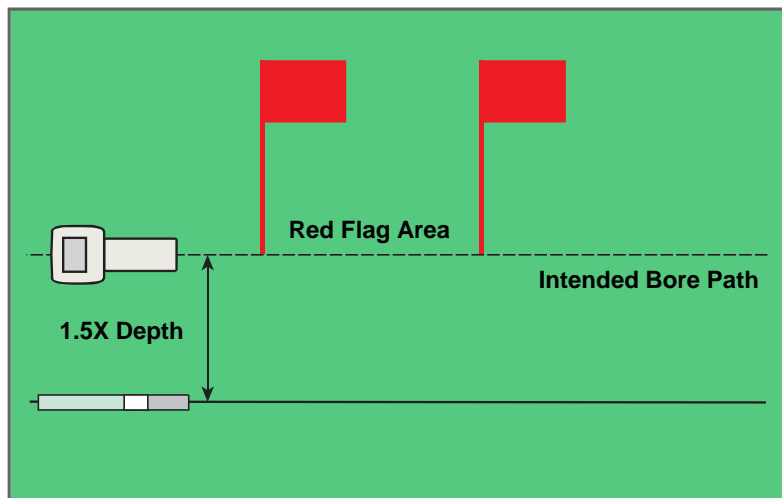
With the transmitter off, power up the receiver and walk the bore path while monitoring the signal strength on the receiver's screen, noting any locations where it changes. A general rule is that the background noise should be at least 150 points less than the transmitter's signal strength when measured at the maximum depth for that bore. In the figure below, the red flag area denotes an increase in background noise.



One-Person Background Signal Strength Check (No Transmitter)

Roll/Pitch Check

At the end of the bore path, turn the receiver to face toward the launch end, and install batteries in the transmitter to power it up. Have a coworker hold the transmitter and stand a distance to your side approximately 1.5 times the maximum depth of your intended bore. Walk together in parallel back toward the launch end keeping the separation distance constant. Periodically stop and have your coworker change the transmitter's pitch and roll orientation so that you can verify the speed and accuracy of these readings on the receiver. Note any locations where the display information becomes erratic or disappears.



Two-Person Roll/Pitch Test with Transmitter

NOTE: Electrical interference is determined by observing the signal strength with the transmitter turned on and then with the transmitter turned off. If the difference between these numbers is less than 150, the electrical interference is excessive.

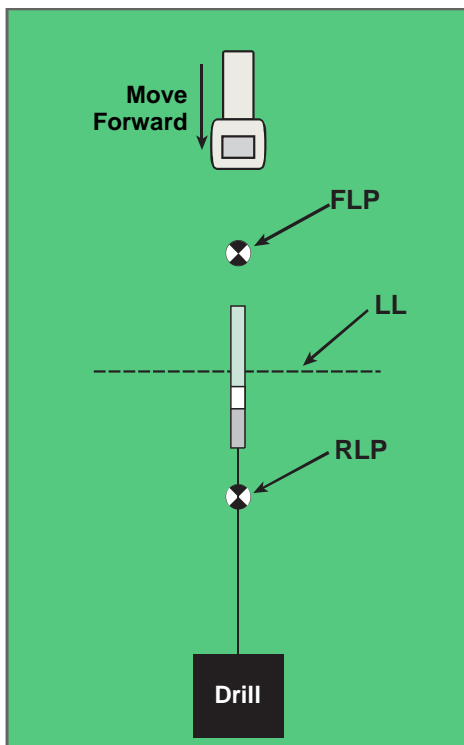
Suggestions for Dealing with Interference

Every job site warrants an interference/background noise check no matter how remote and interference-free your job site appears to be. If the pitch/roll information becomes erratic or is lost, move the receiver away from the interference source while staying within range of the transmitter. Separation (use of the HAG function) may also help when drilling under metallic objects. The greater the separation between the receiver and the metal, the better the receiver's antenna will read the signal. Another recommendation is to use a transmitter with a stronger signal strength that may be able to overcome the interference/background noise.

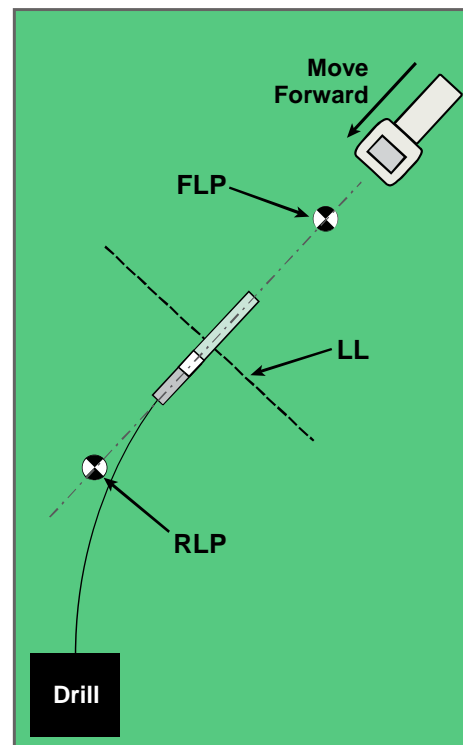
Standard Method for Locating the Transmitter

With the SE system, you can locate the transmitter *and* its heading while it moves, whether standing in front of it, behind it, or toward the side. You can also locate the transmitter facing either toward or away from the drill rig.

The standard method described in this section guides you to the transmitter while standing out in front of it, facing the drill rig. This is the recommended method for locating. As you continue to drill or as the bore path curves, you may be facing the last marked locate point rather than the drill rig.



**Setup for
Standard Locating Method**



**Standard Locating Method
with a Curved Path**

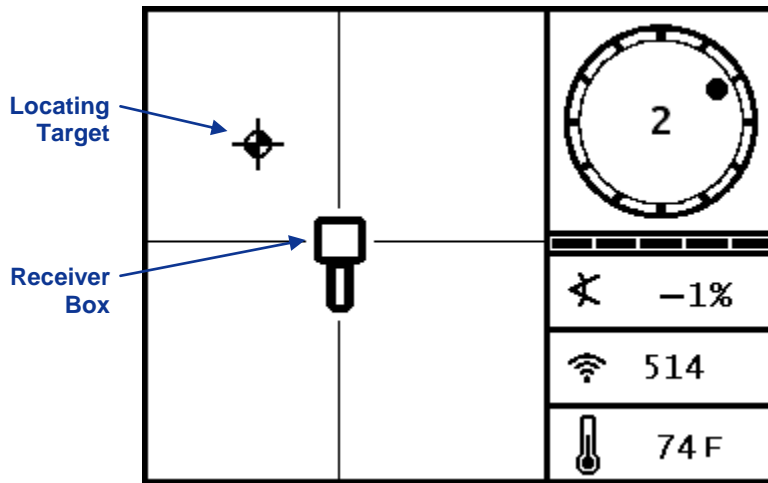
Depth readings may be taken at the FLP or at the LL. It is necessary to hold the trigger in to view the depth or predicted depth and to send the depth reading to the remote display.

Finding the Front Locate Point (FLP)

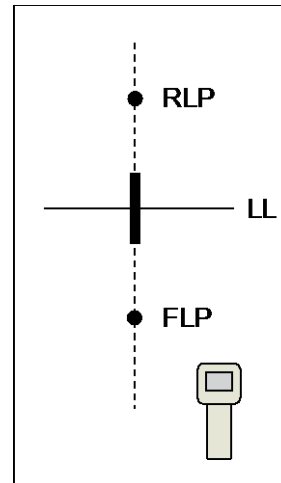
The locating procedure described here assumes you are facing the drill with the transmitter below ground and between you and the drill.

1. Start with the receiver on and in locate mode.
2. Stand out in front of the drill head at a distance of approximately one rod length.

- Observe the position of the locating target (⊕) relative to the receiver box on the display. The figures below illustrate what you might see on the display and the actual position of the receiver, transmitter, and locate points.



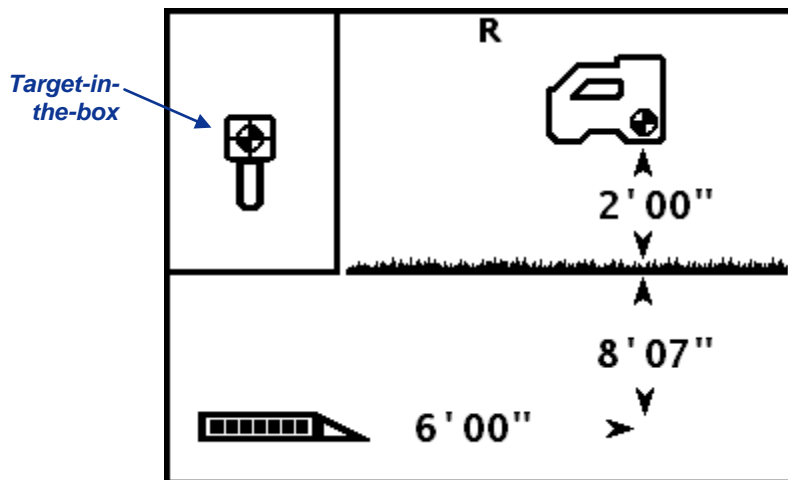
Receiver Locate Mode Screen



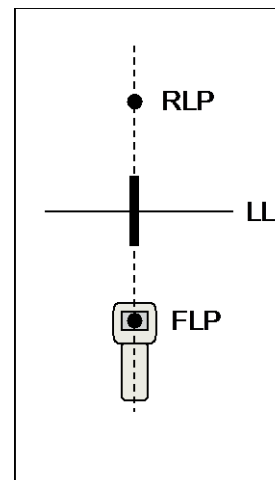
Actual Position of Receiver and Transmitter

- Walk in the direction indicated by the picture on the screen to center the target in the box.
- When the target is centered in the box, hold the trigger in for one second or more so the receiver can get a "lock" on the reference signal. The "R" symbol will appear at the top of the depth screen.

WARNING: Do not hold the trigger in unless you are precisely at the FLP (target centered in box). If you are ahead of the FLP, you will set an incorrect reference that causes a ghost locate line. In this case, you must reference again at the FLP.



Receiver Depth Mode Screen (at FLP with HAG on)



Actual Position of Receiver and Transmitter

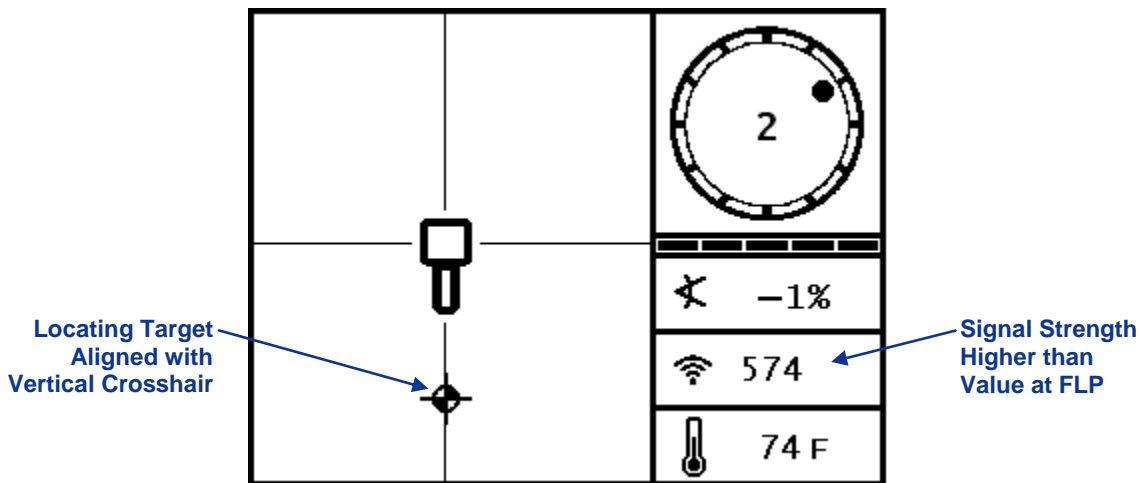
The depth value given at the FLP is the depth the transmitter will be at when it reaches its predicted location if no steering adjustments are made.

NOTE: To verify that the signal is balanced through the receiver's antenna, carefully rotate the receiver 360° about the center of the display keeping the receiver level. The locating target should stay centered in the box. If it does not, do not continue to use the receiver and contact DCI's Customer Service Department.

6. Mark the location directly below the receiver's display screen on the ground as the FLP.

Finding the Locate Line (LL)

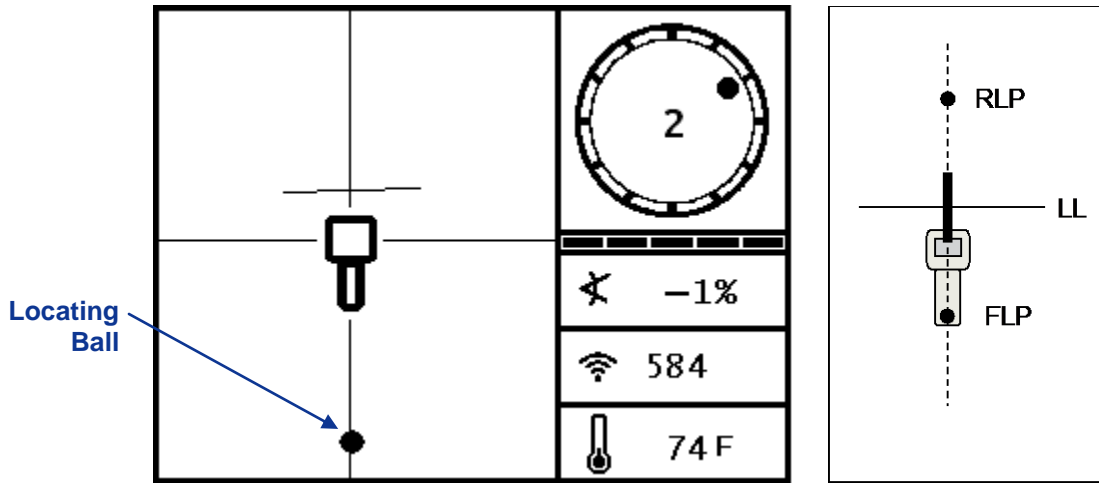
7. Continue to walk in the direction of the drill or the last known transmitter location. Keep the locating target on the vertical crosshair and observe that the signal strength is increasing.



Receiver Locate Mode Screen
(FLP Behind Receiver, Which Is Moving Toward LL)

If the signal strength decreases, you may actually have just located the RLP. Position yourself further away from and facing the drill to locate the FLP.

8. When the target reaches the bottom of the screen, the locate line should appear and the target will change to a black ball representing the *approximate* locate point.

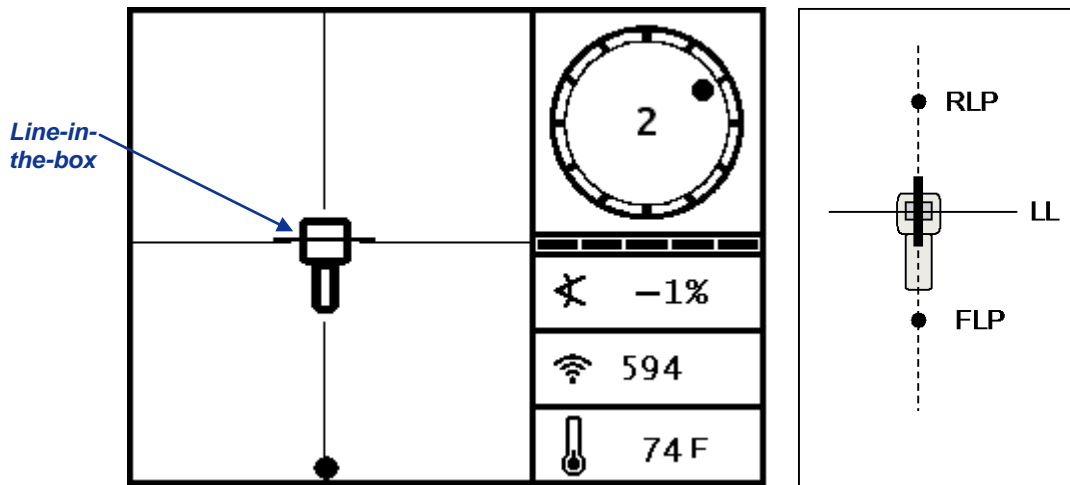


*Receiver Locate Mode Screen
(Approaching LL)*

*Actual Position of
Receiver and Transmitter*

NOTE: The ball is only the approximate position of the locate point. Do not rely on the alignment of the ball with the vertical crosshair to identify the left/right position of the transmitter. The front and rear locate points must be accurately found to determine the transmitter's lateral position (heading) and to take accurate depth readings.

9. Position the receiver so that the LL aligns with the horizontal crosshair.



*Receiver Locate Mode Screen
(at the LL)*

*Actual Position of
Receiver and Transmitter*

10. Mark the location directly below the receiver's display screen on the ground as the LL. You can take a depth reading here by holding in the trigger. However, to be certain you are directly above the transmitter, and your depth reading is accurate, you should first find the RLP.

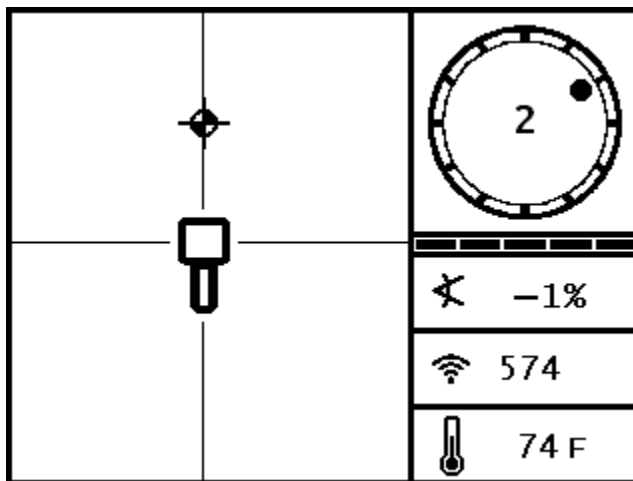
NOTE: If the locate line does not appear, move the receiver in a forward/aft direction over where you think the tool is located. You will see the locating target jump from the bottom of the screen to the top (or vice versa). Then hold in the trigger; this should re-reference the receiver to the transmitter's signal and bring up the locate line.

Finding the RLP to Confirm Transmitter Heading and Position

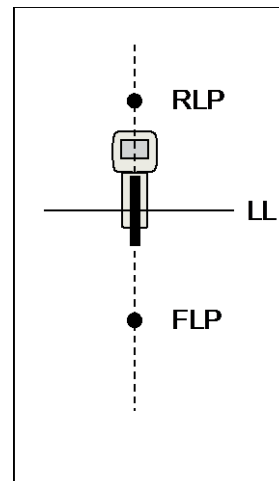
Finding the RLP will allow you to confirm the transmitter's heading and position. Like the FLP, the RLP is represented as a target (⊕) on the receiver display. Once the RLP is found, you will connect the RLP to the FLP with a line that represents the exact heading of the transmitter. The transmitter is located at the point where this line intersects the LL.

Continue the locating procedure as follows:

11. From the LL, facing toward the drill or last transmitter location, walk forward keeping the target aligned on the vertical crosshairs.

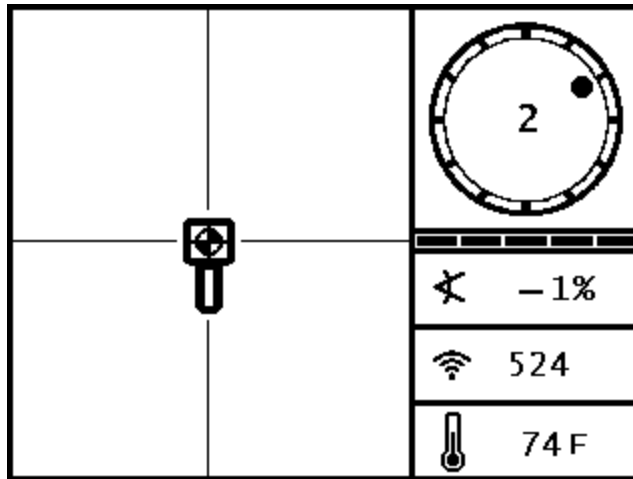


**Receiver Locate Mode Screen
(Approaching RLP from LL)**

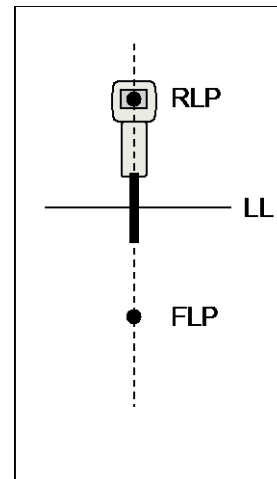


**Actual Position of
Receiver and Transmitter**

12. Position the receiver so that the locating target is centered in the box.



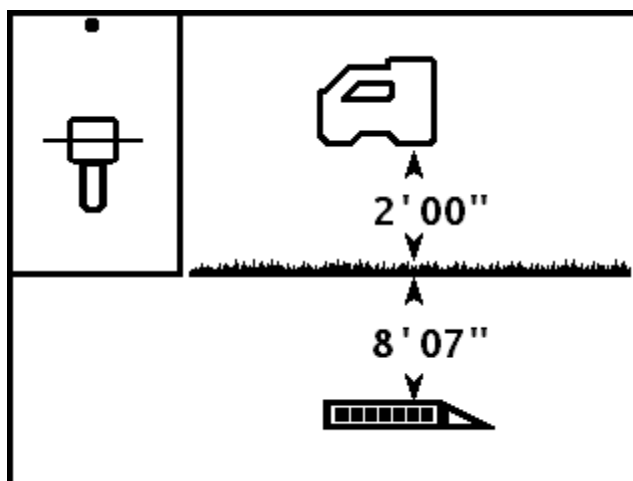
*Receiver Locate Mode Screen
(at RLP)*



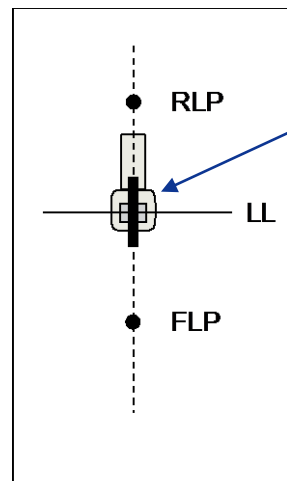
*Actual Position of
Receiver and Transmitter*

13. Mark the location directly below the receiver's display screen on the ground as the RLP.
14. Connect the RLP to the FLP with a straight line. This line represents the transmitter's heading. The exact position of the transmitter is located beneath where this line and the LL cross.
15. Position the receiver at the intersection of these lines with the LL passing through the center of the box on the display and hold the trigger in to take a depth reading.

NOTE: To verify the depth reading, turn off the HAG and set the unit on the ground. Take another depth reading. This reading should be very near the depth reading obtained with the HAG on and the receiver lifted.



*Receiver Depth Mode Screen
(at LL)*



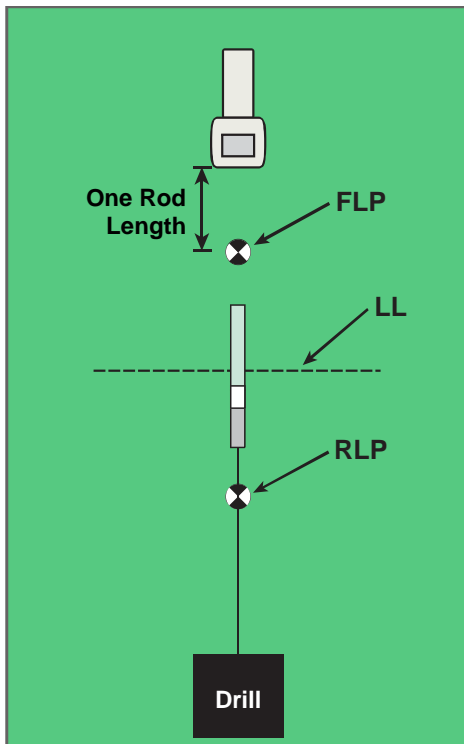
With the LL aligned in the box, the receiver may face toward the RLP or FLP during depth readings

*Actual Position of
Receiver and Transmitter*

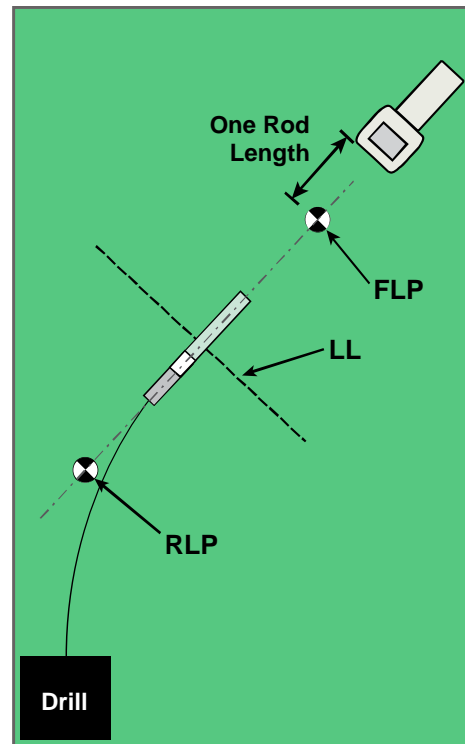
Tracking "On-the-Fly"

If you are running at 0% (0°) pitch over level ground, the predicted depth will be the actual depth. In this case, all locating can be done at the FLP while the tool is moving.

Once the transmitter has been found and its heading is on line, position yourself the distance of one rod length in front of the FLP on the intended bore path with the receiver facing the drill and sitting level on the ground.



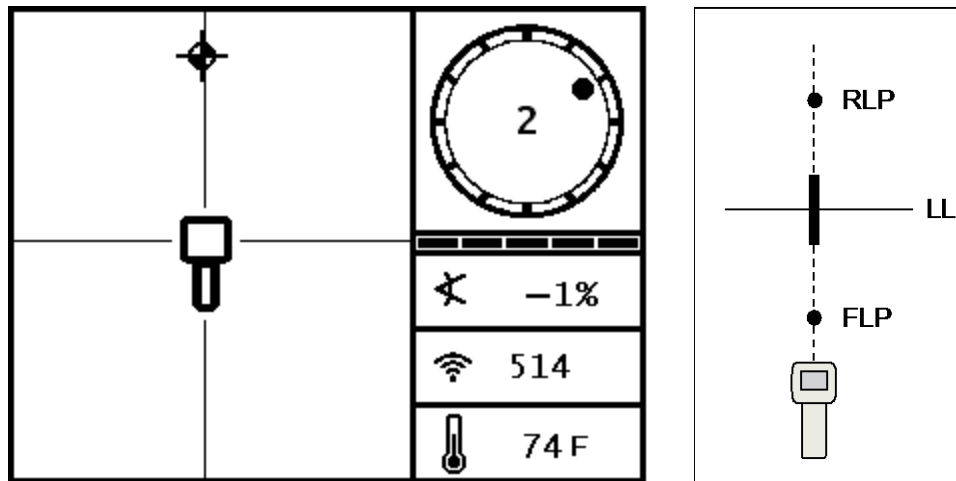
Tracking "On-the-Fly" with a Straight Path



Tracking "On-the-Fly" with a Curved Path

Depth readings may be taken at the FLP or at the LL. It is necessary to hold the trigger in to view the depth or predicted depth and to send the depth reading to the remote display.

WARNING: Do not hold the trigger in unless you are precisely at the FLP (target centered in box). If you are ahead of the FLP, you will set an incorrect reference that causes a ghost locate line. In this case, you must reference again at the FLP.



Receiver Screen Tracking "On-the-Fly"

Actual Position of Receiver and Transmitter

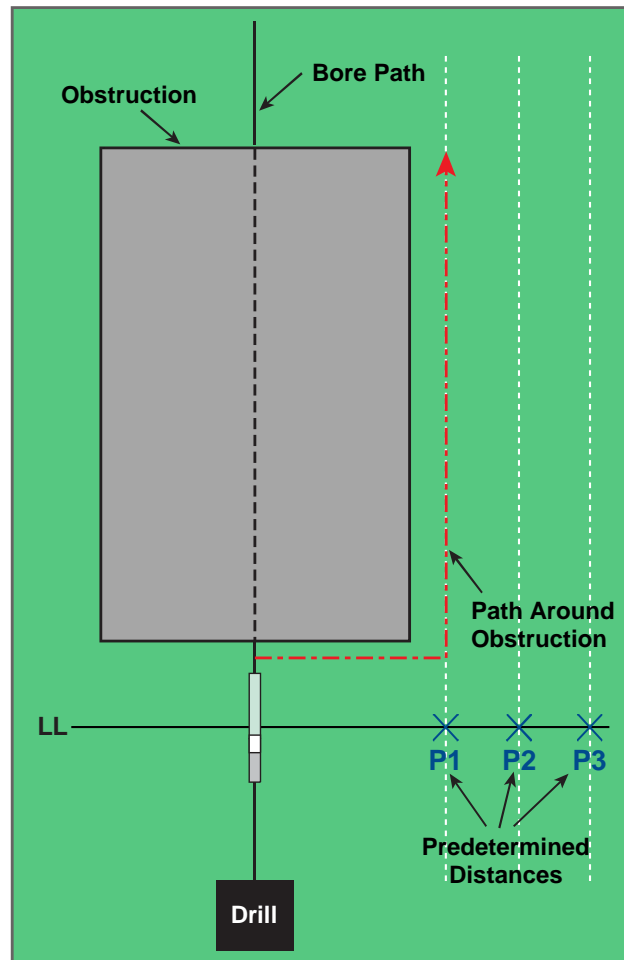
As the tool advances, the FLP should travel along the receiver's vertical crosshairs indicating that the tool is still on line. Once the FLP is in the box, hold the trigger in and confirm that the predicted depth reading is as expected.

Off-Track Locating

The off-track locating technique is useful when it is not possible to walk above the transmitter due to a surface obstruction or interference. Using the locate line's perpendicular relationship to the transmitter, it is possible to track the transmitter's heading and also to determine if it is maintaining its intended depth. The off-track locating method is only effective when the pitch of the transmitter matches the pitch of the topography. Ideally, pitch will be 0% (0°) under flat ground.

To explain how the off-track locating method works, we will use the example of an obstruction that is on the intended bore path, as shown in the figure below. The transmitter is about to go under the obstruction.

1. Stop drilling and find the LL of the transmitter by putting the line in the box.
2. While holding the trigger in and keeping the receiver in the same orientation, step to the side of the tool until you reach a predetermined distance (P1) from it. Move the receiver forward and aft until you can see the ball jump from the bottom of the screen to the top of the screen (or vice versa), then mark this location.

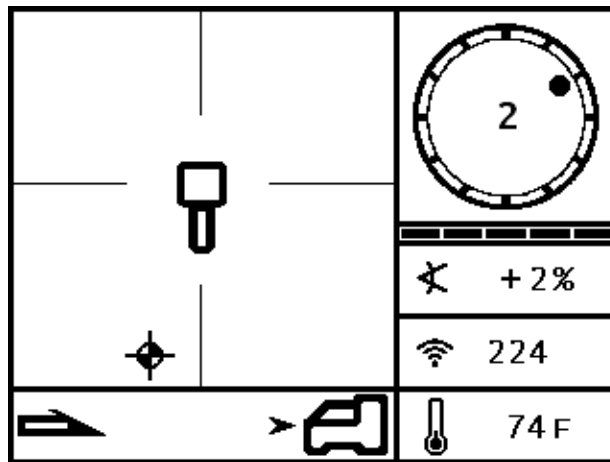


Preparing for Off-Track Locating

3. While still holding the trigger in and keeping the receiver in the same orientation, step to the side of the tool another predetermined distance (P2) further away from it. Move the receiver forward and aft until you can see the ball jump from the bottom of the screen to the top of the screen (or vice versa), then mark this location.
4. While still holding the trigger in and keeping the receiver in the same orientation, step to the side of the tool another predetermined distance (P3) further away from it. Move the receiver forward and aft until you can see the ball jump from the bottom of the screen to the top of the screen (or vice versa), then mark this location.
5. After finding the three locations P1, P2, and P3 to the side of the transmitter, connect these locations with a line. This is the locate line. Because the LL runs perpendicular (at a 90° angle) to the transmitter, it is possible to determine the heading of the tool. By comparing the slant distance or signal strength at the predetermined distances of P1, P2, and P3, as the tool progresses you can verify if the drill head is moving away from or closer to the intended bore path.

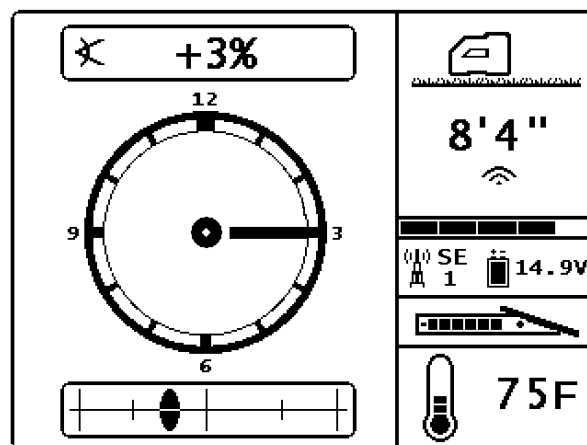
Remote Steering

The remote steering function allows the SE receiver to be placed out ahead of the drill head and used as a left/right steering target. The receiver is positioned on level ground so that it is facing in the same direction as the drilling. To activate the remote steering function, you must program a reference depth into the receiver that matches your current drilling depth (see “Remote Steering Menu” in the *Receiver* section). When remote steering has been activated, the locate mode screen on the receiver will appear as shown below.



SE Receiver Locate Mode Display with Remote Steering

When the receiver is properly positioned and a reference depth has been programmed into the receiver, the steering indicator on the remote displays the left/right steering data at the bottom of the screen, as shown below. The drill can then be guided to a location directly below the receiver. More information on correctly positioning the receiver and using the steering data is given below.

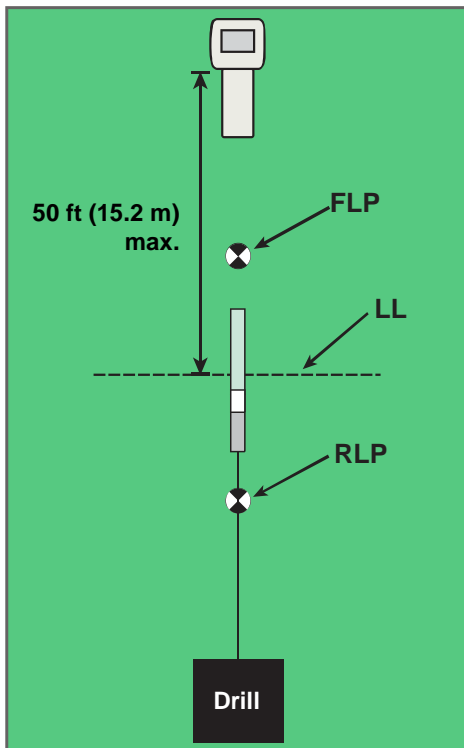


SE Remote Steering Display

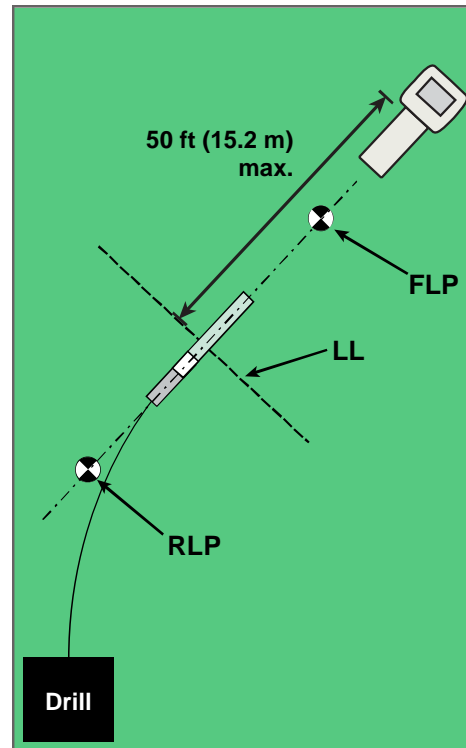
Positioning the Receiver as a Target

Always be sure that the location you would like to steer to beneath the receiver is feasible for the bend radius of the drill string and product being installed.

Position the receiver on the drill path ahead of the FLP so its battery pack end is facing the drill or last transmitter location as shown on the receiver's screen and illustrated below. The SE receiver must have at least one bar showing on the update meter for remote steering data to display at the remote.



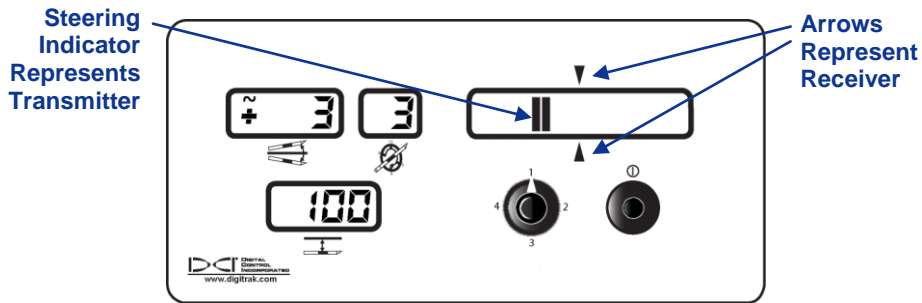
Setup for Remote Steering with a Straight Path



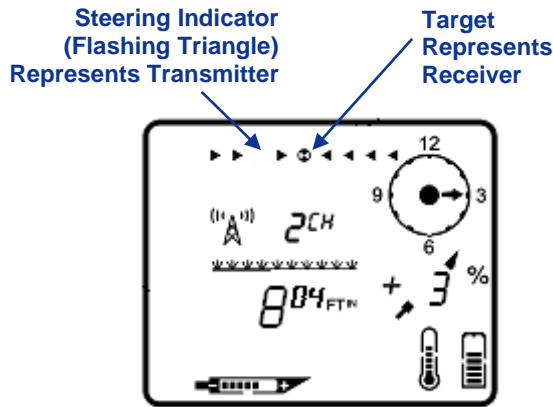
Setup for Remote Steering with a Curved Path

Steering to the Target

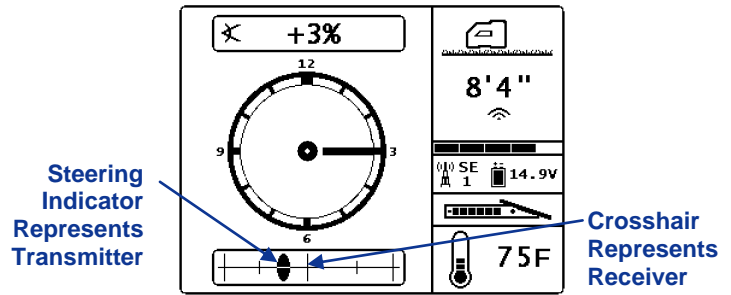
Use the remote steering indicator on the remote display to steer the drill head left or right. The drill is on track to reach the location below the receiver when the left/right steering indicator representing the transmitter is centered on the part of the display that represents the receiver. If the indicator drifts to the left, as shown below, then steer to the right. If the indicator drifts to the right, steer to the left. Be sure to keep an eye on the transmitter's pitch for up/down drill deflections.



Mark II/III Remote Steering Display



Mark IV/V Remote Steering Display



SED/MFD/FSD Remote Steering Display

NOTE: If the receiver does not have a reference depth programmed, the steering indicator will be positioned at the right on Mark Series remotes.

Appendix A: System Specifications and Maintenance Requirements

The power requirements, environmental requirements, and equipment maintenance requirements for the DigiTrak SE Locating System are listed below.

Power Requirements

Device (Model Number)	Operational Voltage	Operational Current
DigiTrak SE Receiver (SER)	14.4 V \pm (nominal)	300 mA max
DigiTrak SE Remote Display (SED)	12–30 V \pm (nominal)	150 mA max
DigiTrak SE Battery Charger (SBC)	Input 100–240 VAC Output 25 V \pm (nominal)	350 mA max 700 mA max
DigiTrak SE NiMH Battery Pack (SBP)	14.4 V \pm (nominal)	2.0 Ah
DigiTrak SE Short-Range Transmitter (SES)	1.1–1.6 V \pm	400 mA max
DigiTrak SE Standard-Range ST 12 Transmitter (HDT)	1.7–7.2V \pm	650 mA max
DigiTrak DucTrak Transmitters (DDS 12, DDT 12)	2.4–3 V \pm	130 mA max

Environmental Requirements

Device	Relative Humidity	Operating Temperature
DigiTrak SE Receiver and Remote Display with NiMH Battery Pack with Li-Ion Battery Pack	<90% <90%	14° to 149°F (-10° to 65°C) -4° to 140°F (-20° to 60°C)
DigiTrak SE Transmitters SES Transmitter ST 12 Transmitter	<100% <100%	-4° to 180°F (-20° to 82°C) -4° to 220°F (-20° to 104°C)
DigiTrak DucTrak Transmitters	<100%	22° to 122°F (-5.6 to 50°C)
DigiTrak SE Battery Charger	<90%	32° to 104°F (0° to 40°C)
DigiTrak SE NiMH Battery Pack	<99% for < 50°F (10°C) <95% for 50–95°F (10–35°C) <75% for 95–149°F (35–65°C)	14° to 149°F (-10° to 65°C)

System working altitude: up to 6561 ft. (2000 m).

General Transmitter Care Instructions

Periodically clean the spring and threads inside the battery compartment as well as the spring and threads of the battery cap to ensure a proper power connection with the batteries. An emery cloth or wire brush can be used to remove any oxidation that has built up. Be careful not to damage the battery cap O-ring; remove it while cleaning if necessary. After cleaning, use a conductive lubricant on the battery cap threads to keep the battery cap from binding in the battery compartment.

NOTE: All DCI battery-powered transmitters are shipped with a nickel-based anti-seize lubricant on the battery end cap, which aids in electrical grounding for better battery performance.

Before use, inspect the battery cap O-ring for damage that may allow water to enter the battery compartment. Replace the O-ring if the one installed becomes damaged.

Placing tape around the fiberglass tube of the transmitter, if space allows, will keep the fiberglass protected from most corrosive environmental wear.

HDT transmitters have a threaded hole (1/4"-20 thread) in the battery cap to allow the use of an insertion/extraction tool for installing and removing the transmitters in end-load housings. Ensure that this hole remains clear of debris.

Send in the Product Registration Card for the 90-day Limited Warranty.

Battery Pack Storage

If you plan to store the battery packs for any period of time, please follow the guidelines listed below.

- Do not store the battery pack at temperatures greater than 113°F (45°C).
- Do not store the battery pack in a fully discharged state.
- Do not store the battery pack in the battery charger.
- If the battery pack is going to be stored for an extended period of time, precharge the battery to a charge level of 30% to 50% (two to three LEDs illuminated on the battery pack). The battery pack should not be stored for more than one year unless it is periodically recharged to the 30% to 50% level.

General Equipment Maintenance

Turn off all equipment when not in use.

Store the equipment in cases, away from heat, cold, and moisture. Test to confirm proper operation prior to use.

Clean the screens on the receiver and remote display using a damp soft cloth without chemicals or cleaning agents.

Clean the receiver, remote, and battery charger case using only a soft moist cloth and mild detergent.

Do not use chemicals to clean the transmitter.

Inspect the equipment daily and contact DCI if you see any damage or problems. Do not disassemble or attempt to repair the equipment.

Do not store or ship this equipment with batteries inside. Always remove the batteries from the equipment before shipping or periods of non-use.

Appendix B: Projected Depth Versus Actual Depth and the Fore/Aft Offset

What Happens When the Transmitter Is Steep and Deep?

The signal field emitted by the transmitter, as shown in Figure B1, consists of a set of elliptical signals or flux lines. The flux lines indicate the position of the transmitter. When the transmitter is level with respect to the ground, you will find that the locate line (LL) is directly over the transmitter, and the depth displayed on the receiver is the actual depth. You will also find that the locate points (FLP and RLP) are at equal distances from the transmitter. The location of the LL is found at the intersection of the ground and the horizontal component of the flux field, and the FLP and RLP are found where the vertical components of the flux field intersect with the ground. Some of the horizontal and vertical components are identified by short yellow lines in Figure B1.

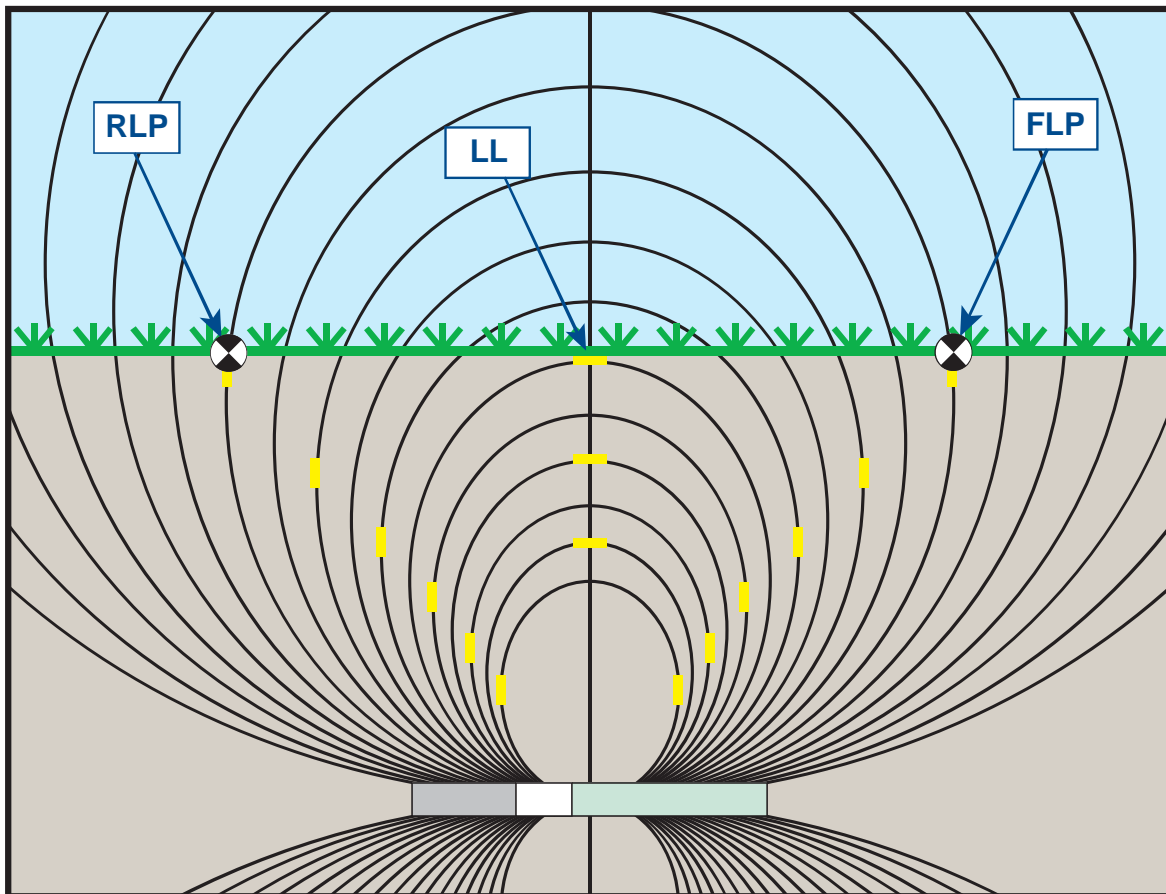


Figure B1. Flux Field and Geometry of FLP, RLP, and LL (side view)

Due to the shape of the transmitter's signal field (flux lines), when it is at a pitch greater than $\pm 30\%$ ($\pm 17^\circ$) and/or a depth of 15 ft (4.6 m) or more, the position of the locate line will be some distance ahead of or behind the transmitter's actual position. In this case, the depth displayed on the receiver becomes what is called the projected depth. The transmitter's distance ahead of or behind the locate line is called the fore/aft offset.

The projected depth and fore/aft offset, shown in Figure B2, must be accounted for when the transmitter is steep and/or deep. See the tables provided later in this appendix (Tables B1 and B2) to determine the actual depth and fore/aft offset when you know the displayed (projected) depth and pitch of the transmitter.

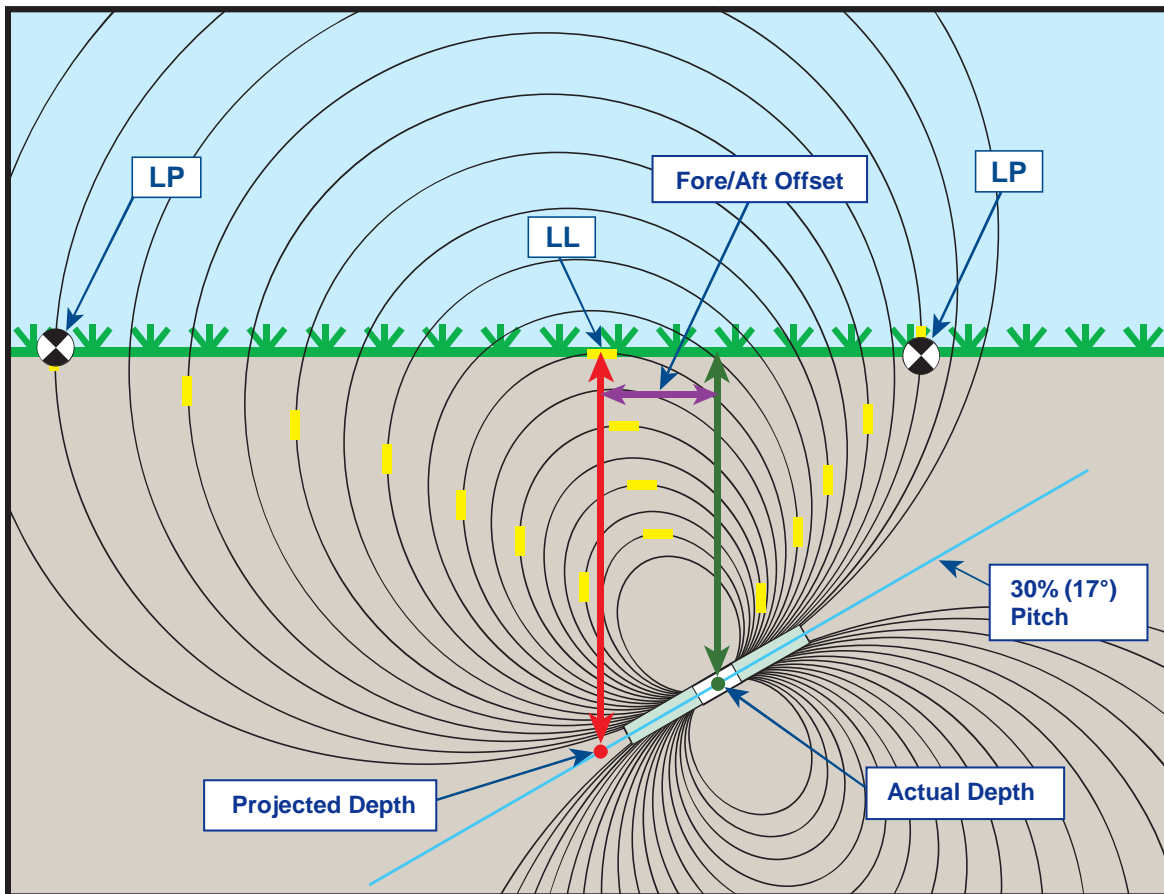


Figure B2. Projected Depth vs. Actual Depth and Fore/Aft Offset When Steep and Deep

Figure B2 above shows a transmitter positioned in a drill string that is meant to illustrate drilling at either a positive or a negative pitch—the pitch is positive if you are drilling left to right, and it is negative if you are drilling right to left. The transmitter's signal field is also pitched at the same angle as the transmitter. The locate line (LL), which is where the depth measurement is taken, is the horizontal component of the transmitter's signal field flux lines. That is, the LL is found where the flux lines are horizontal, as illustrated with short horizontal yellow lines in the figure above.

The locate points (FLP and RLP) are also shown in Figure B2. These points are located at the vertical components of the signal field, as illustrated with short vertical yellow lines in the figure above. Note that the locate points are not the same distance from the LL when the transmitter is pitched. Again, this situation requires compensation for the projected depth and the fore/aft offset.

Using the tables provided below, you can look up the actual depth (Table B1) and the fore/aft offset (Table B2) based on the receiver's depth reading (projected depth) and the transmitter pitch. You can also look up the projected depth (Table B3) if you know the required depth (actual depth) of your installation and you want to find the corresponding projected depth reading that you will see on the receiver during drilling. The final table (Table B4) provides conversion factors for determining the projected depth from the actual depth or the actual depth from the projected depth at various transmitter pitches.

Table B1 lists the projected or displayed depth values (shown in red) in 5 ft (1.52 m) increments in the first column and provides values for the actual depth (shown in green) at different transmitter pitches. For example, if you have a displayed depth of 25 ft (7.62 m) and your transmitter is at a 40% (22°) pitch, then you can see from Table B1 that the actual depth of the transmitter is 22 ft 8 in. (6.91 m).

Table B1. Determining Actual Depth from Displayed (Projected) Depth and Pitch

Pitch → Displayed Depth ↓	±10% (5.7°)	±20% (11°)	±30% (17°)	±40% (22°)	±50% (27°)	±60% (31°)	±75% (37°)	±90% (42°)	±100% (45°)
5' (1.52 m)	5' (1.52 m)	4' 11" (1.50 m)	4' 9" (1.45 m)	4' 6" (1.37 m)	4' 4" (1.32 m)	4' 2" (1.27 m)	3' 10" (1.17 m)	3' 6" (1.07 m)	2' 6" (0.76 m)
10' (3.05 m)	9' 11" (3.02 m)	9' 9" (2.97 m)	9' 5" (2.87 m)	9' 1" (2.77 m)	8' 8" (2.64 m)	8' 3" (2.51 m)	7' 7" (2.31 m)	7' (2.13 m)	5' (1.52 m)
15' (4.57 m)	14' 11" (4.55 m)	14' 8" (4.47 m)	14' 2" (4.32 m)	13' 7" (4.14 m)	13' (3.96 m)	12' 5" (3.78 m)	11' 5" (3.48 m)	10' 6" (3.20 m)	7' 6" (2.29 m)
20' (6.10 m)	19' 11" (6.07 m)	19' 6" (5.94 m)	18' 10" (5.74 m)	18' 1" (5.51 m)	17' 4" (5.28 m)	16' 6" (5.03 m)	15' 3" (4.65 m)	14' (4.27 m)	10' (3.05 m)
25' (7.62 m)	24' 11" (7.59 m)	24' 5" (7.44 m)	23' 7" (7.19 m)	22' 8" (6.91 m)	21' 8" (6.60 m)	20' 8" (6.30 m)	19' (5.79 m)	17' 6" (5.33 m)	12' 6" (3.81 m)
30' (9.14 m)	29' 10" (9.09 m)	29' 3" (8.92 m)	28' 3" (8.61 m)	27' 2" (8.28 m)	26' (7.92 m)	24' 9" (7.54 m)	22' 10" (6.96 m)	21' (6.40 m)	15' (4.57 m)
35' (10.67 m)	34' 10" (10.62 m)	34' 2" (10.41 m)	33' 1" (10.08 m)	31' 8" (9.65 m)	30' 4" (9.25 m)	28' 11" (8.81 m)	26' 8" (8.13 m)	24' 6" (7.47 m)	17' 6" (5.33 m)
40' (12.19 m)	39' 10" (12.14 m)	39' (11.89 m)	37' 9" (11.51 m)	36' 2" (11.02 m)	34' 8" (10.57 m)	33' (10.06 m)	30' 5" (9.27 m)	28' (8.53 m)	20' (6.10 m)
45' (13.72 m)	44' 9" (13.64 m)	43' 11" (13.39 m)	42' 5" (12.93 m)	40' 9" (12.42 m)	39' (11.89 m)	37' 2" (11.33 m)	34' 3" (10.44 m)	31' 7" (9.63 m)	22' 6" (6.86 m)
50' (15.24 m)	49' 9" (15.16 m)	48' 9" (14.86 m)	47' 2" (14.38 m)	45' 3" (13.79 m)	43' 4" (13.21 m)	41' 3" (12.57 m)	38' 1" (11.61 m)	35' 1" (10.69 m)	25' (7.62 m)

Table B2 lists the projected or displayed depth values in 5 ft (1.52 m) increments in the first column and provides values for the fore/aft offset (shown in purple), rounded to the nearest inch (or cm) at different transmitter pitches.

Table B2. Determining Fore/Aft Offset from Displayed (Projected) Depth and Pitch

Pitch→ Displayed Depth ↓	±10% (5.7°)	±20% (11°)	±30% (17°)	±40% (22°)	±50% (27°)	±60% (31°)	±75% (37°)	±90% (42°)	±100% (45°)
5' (1.52 m)	4" (0.10 m)	8" (0.20 m)	11" (0.28 m)	1' 3" (0.38 m)	1' 7" (0.48 m)	1' 9" (0.53 m)	2' 1" (0.64 m)	2' 5" (0.74 m)	2' 6" (0.76 m)
10' (3.05 m)	8" (0.20 m)	1' 4" (0.41 m)	1' 11" (0.58 m)	2' 6" (0.76 m)	3' 1" (0.94 m)	3' 6" (1.07 m)	4' 2" (1.27 m)	4' 9" (1.45 m)	5' (1.52 m)
15' (4.57 m)	1' (0.30 m)	2' (0.61 m)	2' 11" (0.89 m)	3' 9" (1.14 m)	4' 7" (1.40 m)	5' 4" (1.63 m)	6' 3" (1.91 m)	7' 1" (2.16 m)	7' 6" (2.29 m)
20' (6.10 m)	1' 4" (0.41 m)	2' 7" (0.79 m)	3' 10" (1.17 m)	5' (1.52 m)	6' 1" (1.85 m)	7' 1" (2.16 m)	8' 4" (2.54 m)	9' 6" (2.90 m)	10' (3.05 m)
25' (7.62 m)	1' 8" (0.51 m)	3' 3" (0.99 m)	4' 10" (1.47 m)	6' 3" (1.91 m)	7' 7" (2.31 m)	8' 10" (2.69 m)	10' 5" (3.18 m)	11' 10" (3.61 m)	12' 6" (3.81 m)
30' (9.14 m)	2' (0.61 m)	3' 11" (1.19 m)	5' 10" (1.78 m)	7' 6" (2.29 m)	9' 2" (2.79 m)	10' 7" (3.23 m)	12' 6" (3.81 m)	14' 2" (4.32 m)	15' (4.57 m)
35' (10.67 m)	2' 4" (0.71 m)	4' 7" (1.40 m)	6' 9" (2.06 m)	8' 9" (2.67 m)	10' 8" (3.25 m)	12' 5" (3.78 m)	14' 8" (4.47 m)	16' 7" (5.05 m)	17' 6" (5.33 m)
40' (12.19 m)	2' 8" (0.81 m)	5' 3" (0.69 m)	7' 9" (2.36 m)	10' (3.05 m)	12' 2" (3.71 m)	14' 2" (4.32 m)	16' 9" (5.11 m)	18' 11" (5.77 m)	20' (6.10 m)
45' (13.72 m)	3' (0.91 m)	5' 11" (1.80 m)	8' 8" (2.64 m)	11' 4" (3.45 m)	13' 8" (4.17 m)	15' 11" (4.85 m)	18' 10" (5.74 m)	21' 3" (6.48 m)	22' 6" (6.86 m)
50' (15.24 m)	3' 4" (1.02 m)	6' 7" (2.01 m)	9' 4" (2.84 m)	12' 7" (3.84 m)	15' 3" (4.65 m)	17' 8" (5.38 m)	20' 11" (6.38 m)	23' 8" (7.21 m)	25' (7.62 m)

Table B3 lists the actual depths in 5 ft (1.52 m) increments in the first column and provides projected depth values at different transmitter pitches.

Table B3. Determining Projected Depth from Actual Depth and Pitch

Pitch→ Actual Depth ↓	±10% (5.7°)	±20% (11°)	±30% (17°)	±40% (22°)	±50% (27°)	±60% (31°)	±75% (37°)	±90% (42°)	±100% (45°)
5' (1.52 m)	5' (1.52 m)	5' 2" (1.57 m)	5' 3" (1.60 m)	5' 6" (1.68 m)	5' 8" (1.73 m)	5' 11" (1.80 m)	6' 3" (1.91 m)	6' 6" (1.98 m)	7' 6" (2.29 m)
10' (3.05 m)	10' 1" (3.07 m)	10' 3" (3.12 m)	10' 7" (3.23 m)	10' 11" (3.33 m)	11' 4" (3.45 m)	11' 9" (3.58 m)	12' 5" (3.78 m)	13' (3.96 m)	15' (4.57 m)
15' (4.57 m)	15' 1" (4.60 m)	15' 5" (4.70 m)	15' 10" (4.83 m)	16' 5" (5.00 m)	17' (5.18 m)	17' 8" (5.38 m)	18' 7" (5.66 m)	19' 6" (5.94 m)	22' 6" (6.86 m)
20' (6.10 m)	20' 1" (6.12 m)	20' 6" (6.25 m)	21' 2" (6.45 m)	21' 11" (6.68 m)	22' 8" (6.91 m)	23' 6" (7.16 m)	24' 9" (7.54 m)	26' (7.92 m)	30' (9.14 m)
25' (7.62 m)	25' 2" (7.67 m)	25' 8" (7.82 m)	26' 5" (8.05 m)	27' 5" (8.36 m)	28' 4" (8.64 m)	29' 5" (8.97 m)	31' (9.45 m)	32' 6" (9.91 m)	37' 6" (11.43 m)
30' (9.14 m)	30' 2" (9.19 m)	30' 9" (9.37 m)	31' 9" (9.68 m)	32' 10" (10.01 m)	34' (10.36 m)	35' 3" (10.74 m)	37' 2" (11.33 m)	39' (11.89 m)	45' (13.72 m)
35' (10.67 m)	35' 2" (10.72 m)	35' 11" (10.95 m)	37' (11.28 m)	38' 4" (11.68 m)	36' 8" (11.18 m)	41' 2" (12.55 m)	43' 4" (13.21 m)	45' 6" (13.87 m)	52' 6" (16.00 m)
40' (12.19 m)	40' 2" (12.24 m)	41' (12.50 m)	42' 3" (12.88 m)	43' 10" (13.36 m)	45' 4" (13.82 m)	47' (14.33 m)	49' 7" (15.11 m)	52' (15.85 m)	60' (18.29 m)
45' (13.72 m)	45' 3" (13.79 m)	46' 2" (14.07 m)	47' 7" (14.50 m)	49' 3" (15.01 m)	51' (15.54 m)	52' 2" (15.90 m)	55' 9" (16.99 m)	58' 6" (17.83 m)	67' 6" (11.43 m)
50' (15.24 m)	50' 3" (15.32 m)	51' 3" (15.62 m)	52' 10" (16.10 m)	54' 9" (16.69 m)	56' 8" (17.27 m)	58' 9" (17.91 m)	61' 11" (18.87 m)	64' 11" (19.79 m)	75' (22.86 m)

Table B4 allows you to calculate the exact projected depth reading as well as the actual depth using a multiplier. Values for the multiplier, or conversion factor, are provided at different transmitter pitches.

Table B4. Conversion Factors for Calculating Exact Projected Depth or Actual Depth

Pitch →	±10% (5.7°)	±20% (11°)	±30% (17°)	±40% (22°)	±50% (27°)	±60% (31°)	±75% (37°)	±90% (42°)
From Actual to Projected Depth	1.005	1.025	1.06	1.105	1.155	1.212	1.314	1.426
From Projected to Actual Depth	0.995	0.975	0.943	0.905	0.866	0.825	0.761	0.701

For example, referring to Table B4, if you have a required (actual) depth of 24 ft (7.32 m), you can determine the receiver's projected depth reading at a 30% (17°) pitch. You will use the first row of conversion factors (From Actual to Projected Depth) to select the corresponding value for a pitch of 30%, which is 1.06. Multiply this value by the required depth, which is 24, and you will find that your receiver's projected depth reading at the locate line should display as 25 ft 5 in. (7.75 m)

Using the projected depth displayed on your receiver, you can calculate the actual depth of the transmitter using the second row of conversion factors. Select the corresponding conversion factor associated with your pitch value, and then multiply that value by the projected depth. For example, if your pitch is 30% and your projected depth reading is 24 ft (7.32 m), then you would multiply 0.943 by 24 to determine that the actual depth of the transmitter is 22.63 ft or 22 ft 8 in. (6.90 m).

Appendix C: Calculating Depth Based on Distance Between FLP and RLP

It is possible to estimate the transmitter depth should the information displayed on the receiver become unreliable. This is only possible if you know the transmitter pitch and the positions of the front locate point (FLP) and the rear locate point (RLP) and if the ground surface is level.

To estimate the transmitter depth, first measure the distance between the FLP and the RLP. The pitch of the transmitter must also be reliably known. Using the Depth Estimation Table below, find the divider that most closely corresponds to the transmitter pitch. Then use the following formula to estimate the depth:

$$\text{Depth} = \frac{\text{Distance between FLP and RLP}}{\text{Divider}}$$

For example, if the transmitter pitch is 34% (or 18.8°) then the corresponding divider value (from the table) is 1.50. In this example, the distance between the FLP and the RLP is 11.5 ft (3.5 m). The depth would be:

$$\text{Depth} = \frac{11.5\text{ft}}{1.50} = 7.66\text{ft or approximately } 7.7 \text{ ft (2.35 m)}$$

Table C1. Depth Estimation Table

Pitch (% / °)	Divider	Pitch (% / °)	Divider	Pitch (% / °)	Divider
0 / 0.0	1.41	34 / 18.8	1.50	68 / 34.2	1.74
2 / 1.1	1.41	36 / 19.8	1.51	70 / 35.0	1.76
4 / 2.3	1.42	38 / 20.8	1.52	72 / 35.8	1.78
6 / 3.4	1.42	40 / 21.8	1.54	74 / 36.5	1.80
8 / 4.6	1.42	42 / 22.8	1.55	76 / 37.2	1.82
10 / 5.7	1.42	44 / 23.7	1.56	78 / 38.0	1.84
12 / 6.8	1.43	46 / 24.7	1.57	80 / 38.7	1.85
14 / 8.0	1.43	48 / 25.6	1.59	82 / 39.4	1.87
16 / 9.1	1.43	50 / 26.6	1.60	84 / 40.0	1.89
18 / 10.2	1.44	52 / 27.5	1.62	86 / 40.7	1.91
20 / 11.3	1.45	54 / 28.4	1.63	88 / 41.3	1.93
22 / 11.9	1.45	56 / 29.2	1.64	90 / 42.0	1.96
24 / 13.5	1.46	58 / 30.1	1.66	92 / 42.6	1.98
26 / 14.6	1.47	60 / 31.0	1.68	94 / 43.2	2.00
28 / 15.6	1.48	62 / 31.8	1.69	96 / 43.8	2.02
30 / 16.7	1.48	64 / 32.6	1.71	98 / 44.4	2.04
32 / 17.7	1.49	66 / 33.4	1.73	100 / 45.0	2.06

Appendix D: Reference Tables

The information and tables contained in this appendix provide further assistance for confirming the position of the transmitter. The following information is provided:

Depth Increase in Inches (Centimeters) per 6-foot (1.8 meter) Rod

Depth Increase in Inches (Centimeters) per 10-foot (3-meter) Rod

Depth Increase in Inches (Centimeters) per 15-foot (4.6-meter) Rod

Percent of Grade to Degree Conversions

Degree to Percent of Grade Conversions

Depth Increase in Inches (Centimeters) per 6-foot (1.8 meter) Rod

Percent	Depth Increase		Percent	Depth Increase
1	0.6 (1.5)		28	16.8 (42.7)
2	1.2 (3.0)		29	17.4 (44.2)
3	1.8 (4.6)		30	18.0 (45.7)
4	2.4 (6.1)		31	18.6 (47.2)
5	3.0 (7.6)		32	19.2 (48.8)
6	3.6 (9.1)		33	19.8 (50.3)
7	4.2 (10.7)		34	20.4 (51.8)
8	4.8 (12.2)		35	21.0 (53.3)
9	5.4 (13.7)		36	21.6 (54.9)
10	6.0 (15.2)		37	22.2 (56.4)
11	6.6 (16.8)		38	22.8 (57.9)
12	7.2 (18.3)		39	23.4 (59.4)
13	7.8 (19.8)		40	24.0 (61.0)
14	8.4 (21.3)		41	24.6 (62.5)
15	9.0 (22.9)		42	25.2 (64.0)
16	9.6 (24.4)		43	25.8 (65.5)
17	10.2 (25.9)		44	26.4 (67.1)
18	10.8 (27.4)		45	27.0 (68.6)
19	11.4 (29.0)		46	27.6 (70.1)
20	12.0 (30.5)		47	28.2 (71.6)
21	12.6 (32.0)		50	30.0 (76.2)
22	13.2 (33.5)		55	33.0 (83.8)
23	13.8 (35.1)		60	36.0 (91.4)
24	14.4 (36.6)		70	42.0 (106.7)
25	15.0 (38.1)		80	48.0 (121.9)
26	15.6 (39.6)		90	54.0 (137.2)
27	16.2 (41.1)		100	60.0 (152.4)

Depth Increase in Inches (Centimeters) per 10-foot (3-meter) Rod

Percent	Depth Increase		Percent	Depth Increase
1	1 (2)		28	32 (81)
2	2 (5)		29	33 (84)
3	4 (10)		30	34 (86)
4	5 (13)		31	36 (91)
5	6 (15)		32	37 (94)
6	7 (18)		33	38 (97)
7	8 (20)		34	39 (99)
8	10 (25)		35	40 (102)
9	11 (28)		36	41 (104)
10	12 (30)		37	42 (107)
11	13 (33)		38	43 (109)
12	14 (36)		39	44 (112)
13	15 (38)		40	45 (114)
14	17 (43)		41	46 (117)
15	18 (46)		42	46 (117)
16	19 (48)		43	47 (119)
17	20 (51)		44	48 (122)
18	21 (53)		45	49 (124)
19	22 (56)		46	50 (127)
20	24 (61)		47	51 (130)
21	25 (64)		50	54 (137)
22	26 (66)		55	58 (147)
23	27 (69)		60	62 (157)
24	28 (71)		70	69 (175)
25	29 (74)		80	75 (191)
26	30 (76)		90	80 (203)
27	31 (79)		100	85 (216)

Depth Increase in Inches (Centimeters) per 15-foot (4.6-meter) Rod

Percent	Depth Increase		Percent	Depth Increase
1	2 (5)		28	49 (124)
2	4 (10)		29	50 (127)
3	5 (13)		30	52 (132)
4	7 (18)		31	53 (135)
5	9 (23)		32	55 (140)
6	11 (28)		33	56 (142)
7	13 (33)		34	58 (147)
8	14 (36)		35	59 (150)
9	16 (41)		36	61 (155)
10	18 (46)		37	62 (157)
11	20 (51)		38	64 (163)
12	21 (53)		39	65 (165)
13	23 (58)		40	67 (170)
14	25 (64)		41	68 (173)
15	27 (69)		42	70 (178)
16	28 (71)		43	71 (180)
17	30 (76)		44	72 (183)
18	32 (81)		45	74 (188)
19	34 (86)		46	75 (191)
20	35 (89)		47	77 (196)
21	37 (94)		50	80 (203)
22	39 (99)		55	87 (221)
23	40 (102)		60	93 (236)
24	42 (107)		70	103 (262)
25	44 (112)		80	112 (284)
26	45 (114)		90	120 (305)
27	47 (119)		100	127 (323)

Percent of Grade to Degree Conversions

Percent	Degree	Percent	Degree	Percent	Degree	Percent	Degree
1	0.6	26	14.6	51	27.0	76	37.2
2	1.1	27	15.1	52	27.5	77	37.6
3	1.7	28	15.6	53	27.9	78	38.0
4	2.3	29	16.2	54	28.4	79	38.3
5	2.9	30	16.7	55	28.8	80	38.7
6	3.4	31	17.2	56	29.2	81	39.0
7	4.0	32	17.7	57	29.7	82	39.4
8	4.6	33	18.3	58	30.1	83	39.7
9	5.1	34	18.8	59	30.5	84	40.0
10	5.7	35	19.3	60	31.0	85	40.4
11	6.3	36	19.8	61	31.4	86	40.7
12	6.8	37	20.3	62	31.8	87	41.0
13	7.4	38	20.8	63	32.2	88	41.3
14	8.0	39	21.3	64	32.6	89	41.7
15	8.5	40	21.8	65	33.0	90	42.0
16	9.1	41	22.3	66	33.4	91	42.3
17	9.6	42	22.8	67	33.8	92	42.6
18	10.2	43	23.3	68	34.2	93	42.9
19	10.8	44	23.7	69	34.6	94	43.2
20	11.3	45	24.2	70	35.0	95	43.5
21	11.9	46	24.7	71	35.4	96	43.8
22	12.4	47	25.2	72	35.8	97	44.1
23	13.0	48	25.6	73	36.1	98	44.4
24	13.5	49	26.1	74	36.5	99	44.7
25	14.0	50	26.6	75	36.9	100	45.0

Degree to Percent of Grade Conversions

Degree	Percent		Degree	Percent
0	0.0		23	42.4
1	1.7		24	44.5
2	3.5		25	46.6
3	5.2		26	48.8
4	7.0		27	51.0
5	8.7		28	53.2
6	10.5		29	55.4
7	12.3		30	57.7
8	14.1		31	60.1
9	15.8		32	62.5
10	17.6		33	64.9
11	19.4		34	67.5
12	21.3		35	70.0
13	23.1		36	72.7
14	24.9		37	75.4
15	26.8		38	78.1
16	28.7		39	81.0
17	30.6		40	83.9
18	32.5		41	86.9
19	34.4		42	90.0
20	36.4		43	93.3
21	38.4		44	96.6
22	40.4		45	100.0

LIMITED WARRANTY

Digital Control Incorporated ("DCI") warrants that when shipped from DCI each DCI Product will conform to DCI's current published specifications in existence at the time of shipment and will be free, for the warranty period ("Warranty Period") described below, from defects in materials and workmanship. The limited warranty described herein ("Limited Warranty") is not transferable, shall extend only to the first end-user ("User") purchasing the DCI Product from either DCI or a dealer expressly authorized by DCI to sell DCI Products ("Authorized DCI Dealer"), and is subject to the following terms, conditions and limitations:

1. A Warranty Period of twelve (12) months shall apply to the following new DCI Products: receivers/locators, remote displays, battery chargers and rechargeable batteries, and DataLog[®] modules and interfaces. A Warranty Period of ninety (90) days shall apply to all other new DCI Products, including transmitters, accessories, and software programs and modules. Unless otherwise stated by DCI, a Warranty Period of ninety (90) days shall apply to: (a) a used DCI Product sold either by DCI or by an Authorized DCI Dealer who has been expressly authorized by DCI to sell such used DCI Product; and (b) services provided by DCI, including testing, servicing, and repairing an out-of-warranty DCI Product. The Warranty Period shall begin from the later of: (i) the date of shipment of the DCI Product from DCI, or (ii) the date of shipment (or other delivery) of the DCI Product from an Authorized DCI Dealer to User.
2. DCI's sole obligation under this Limited Warranty shall be limited to either repairing, replacing, or adjusting, at DCI's option, a covered DCI Product that has been determined by DCI, after reasonable inspection, to be defective during the foregoing Warranty Period. All warranty inspections, repairs and adjustments must be performed either by DCI or by a warranty claim service authorized in writing by DCI. All warranty claims must include proof of purchase, including proof of purchase date, identifying the DCI Product by serial number.
3. The Limited Warranty shall only be effective if: (i) within fourteen (14) days of receipt of the DCI Product, User mails a fully completed Product Registration Card to DCI; (ii) User makes a reasonable inspection upon first receipt of the DCI Product and immediately notifies DCI of any apparent defect; and (iii) User complies with all of the Warranty Claim Procedures described below.

WHAT IS NOT COVERED

This Limited Warranty excludes all damage, including damage to any DCI Product, due to: failure to follow DCI's operator's manual and other DCI instructions; abuse; misuse; neglect; accident; fire; flood; Acts of God; improper applications; connection to incorrect line voltages and improper power sources; use of incorrect fuses; overheating; contact with high voltages or injurious substances; use of batteries or other products or components not manufactured or supplied by DCI; or other events beyond the control of DCI. This Limited Warranty does not apply to any equipment not manufactured or supplied by DCI nor, if applicable, to any damage or loss resulting from use of any DCI Product outside the designated country of use. By accepting a DCI Product and not returning it for a refund within thirty (30) days of purchase, User agrees to the terms of this Limited Warranty, including without limitation the Limitation of Remedies and Liability described below, and agrees to carefully evaluate the suitability of the DCI Product for User's intended use and to thoroughly read and strictly follow all instructions supplied by DCI (including any updated DCI Product information which may be obtained at the above DCI website). In no event shall this Limited Warranty cover any damage arising during shipment of the DCI Product to or from DCI.

User agrees that the following will render the above Limited Warranty void: (i) alteration, removal or tampering with any serial number, identification, instructional, or sealing labels on the DCI Product, or (ii) any unauthorized disassembly, repair or modification of the DCI Product. In no event shall DCI be responsible for the cost of or any damage resulting from any changes, modifications, or repairs to the DCI Product not expressly authorized in writing by DCI, and DCI shall not be responsible for the loss of or damage to the DCI Product or any other equipment while in the possession of any service agency not authorized by DCI.

DCI reserves the right to make changes in design and improvements upon DCI Products from time to time, and User understands that DCI shall have no obligation to upgrade any previously manufactured DCI Product to include any such changes.

THE FOREGOING LIMITED WARRANTY IS DCI'S SOLE WARRANTY AND IS MADE IN PLACE OF ALL OTHER WARRANTIES, EXPRESS OR IMPLIED, INCLUDING BUT NOT LIMITED TO THE IMPLIED WARRANTIES OF MERCHANTABILITY AND FITNESS FOR A PARTICULAR PURPOSE, IMPLIED WARRANTY OF NON-INFRINGEMENT, AND ANY IMPLIED WARRANTY ARISING FROM COURSE OF PERFORMANCE, COURSE OF DEALING, OR USAGE OF TRADE, ALL OF WHICH ARE HEREBY DISCLAIMED AND EXCLUDED. If DCI has substantially complied with the warranty claim procedures described below, such procedures shall constitute User's sole and exclusive remedy for breach of the Limited Warranty.



LIMITATION OF REMEDIES AND LIABILITY

In no event shall DCI or anyone else involved in the creation, production, or delivery of the DCI Product be liable for any damages arising out of the use or inability to use the DCI Product, including but not limited to indirect, special, incidental, or consequential damages, or for any cover, loss of information, profit, revenue or use, based upon any claim by User for breach of warranty, breach of contract, negligence, strict liability, or any other legal theory, even if DCI has been advised of the possibility of such damages. In no event shall DCI's liability exceed the amount User has paid for the DCI Product. To the extent that any applicable law does not allow the exclusion or limitation of incidental, consequential or similar damages, the foregoing limitations regarding such damages shall not apply.

This Limited Warranty gives you specific legal rights, and you may also have other rights which vary from state to state. This Limited Warranty shall be governed by the laws of the State of Washington.

WARRANTY CLAIM PROCEDURES

1. If you are having problems with your DCI Product, you must first contact the Authorized DCI Dealer where it was purchased. If you are unable to resolve the problem through your Authorized DCI Dealer, contact DCI's Customer Service Department in Kent, Washington, USA at the above telephone number between 6:00 a.m. and 6:00 p.m. Pacific Time and ask to speak with a customer service representative. (The above "800" number is available for use only in the USA and Canada.) Prior to returning any DCI Product to DCI for service, you must obtain a Return Merchandise Authorization (RMA) number. Failure to obtain an RMA may result in delays or return to you of the DCI Product without repair.
2. After contacting a DCI customer service representative by telephone, the representative will attempt to assist you in troubleshooting while you are using the DCI Product during actual field operations. Please have all related equipment available together with a list of all DCI Product serial numbers. It is important that field troubleshooting be conducted because many problems do not result from a defective DCI Product, but instead are due to either operational errors or adverse conditions occurring in the User's drilling environment.
3. If a DCI Product problem is confirmed as a result of field troubleshooting discussions with a DCI customer service representative, the representative will issue an RMA number authorizing the return of the DCI Product and will provide shipping directions. You will be responsible for all shipping costs, including any insurance. If, after receiving the DCI Product and performing diagnostic testing, DCI determines the problem is covered by the Limited Warranty, required repairs and/or adjustments will be made, and a properly functioning DCI Product will be promptly shipped to you. If the problem is not covered by the Limited Warranty, you will be informed of the reason and be provided an estimate of repair costs. If you authorize DCI to service or repair the DCI Product, the work will be promptly performed and the DCI Product will be shipped to you. You will be billed for any costs for testing, repairs and adjustments not covered by the Limited Warranty and for shipping costs. In most cases, repairs are accomplished within 1 to 2 weeks.
4. DCI has a limited supply of loaner equipment available. If loaner equipment is required by you and is available, DCI will attempt to ship loaner equipment to you by overnight delivery for your use while your equipment is being serviced by DCI. DCI will make reasonable efforts to minimize your downtime on warranty claims, limited by circumstances not within DCI's control. If DCI provides you loaner equipment, your equipment must be received by DCI no later than the second business day after your receipt of loaner equipment. You must return the loaner equipment by overnight delivery for receipt by DCI no later than the second business day after your receipt of the repaired DCI Product. Any failure to meet these deadlines will result in a rental charge for use of the loaner equipment for each extra day the return of the loaner equipment to DCI is delayed.